

BENASSI[®] Spa



**USE AND
MAINTENANCE**

**CULTIVATOR
MODEL**

BL300 / BL350



INDEX

- | | |
|----------------------------------------------------------------------------------------------------------------------------------------------------------------------------------------------------|---------------------------------------------------------------------------------------------------------------------------------------------------|
| <ul style="list-style-type: none"> ◇ INTRODUCTION ◇ TECHNICAL DETAILS ◇ GENERAL SAFETY REGULATIONS ◇ STARTING AND STOPPING ◇ USE AND ADJUSTMENT | <ul style="list-style-type: none"> ◇ SERVICING ◇ TESTS FOR CE REGULATIONS ◇ WARRANTY ◇ CE CERTIFICATION |
|----------------------------------------------------------------------------------------------------------------------------------------------------------------------------------------------------|---------------------------------------------------------------------------------------------------------------------------------------------------|

INTRODUCTION

Dear user,
thank you for preferring BENASSI, The top performance and the easy use of our machine should give you any satisfaction.

- This machine is the result of a long experience working at the top quality standard and using first quality material.
- Carefully using and servicing this machine, you will certainly get satisfactory performances for a long time.
- **Please read very carefully this booklet before using your cultivator.**
- The greater attention you give to our technical instructions the more reliable your BENASSI machine will be. Pay special attention to the instructions marked out by the following sign

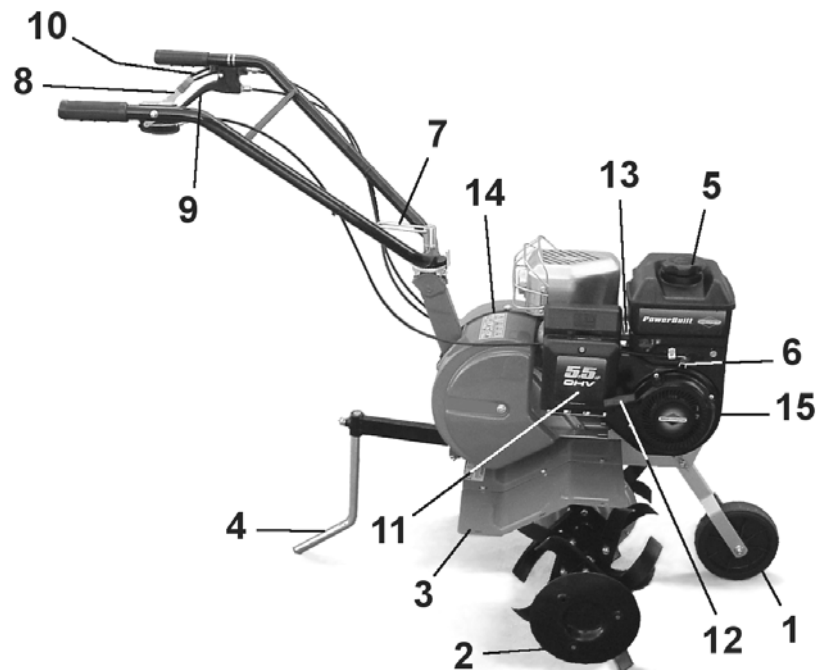


ATTENTION

Failure to comply with these instructions may result insidious or even cause fatal injury.

PARTS OF THE CULTIVATOR

1. Transport wheel
2. Tiller
3. Tiller protection
4. Braking spur
5. Fuel tank cap
6. Choke lever
7. Handlebar adjustments
8. Throttle lever
9. Clutch lever forward drive
10. Clutch lever backward drive
11. Air filter
12. Recoil start
13. Spark plug
14. Belt cover
15. Oil cap



TECHNICAL DETAILS

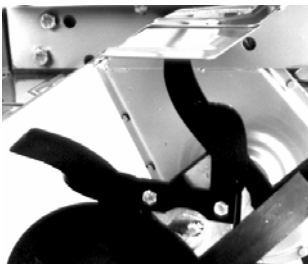
FOR THE ENGINE FEATURES SEE THE ENGINE INSTRUCTION BOOKLET DELIVERED WITH THE MACHINE.

The engine fitted on this cultivator have following features:

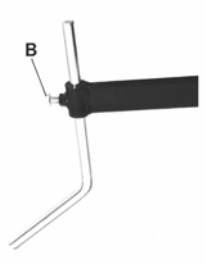
- Exhaust guard (PICT 1 Ref. "A")
- Recoil starter
- Dry air filter
- ENGINE LUBRICATION WITH: see instruction manual of the engine.
- Quantity of engine oil: see instruction manual of the engine.
- Fuel : unleaded petrol
- Safety device for both forward and backward gear stopping the tiller.
- The model BL300 has a single belt transmission for the engine and a greased chain for the tiller.
- The model BL350 has a double belt transmission (front and reverse) for the engine and a greased chain for the tiller.
- The handlebar can be:
 1. adjustable in 3 vertical positions
 2. adjustable in different positions (height and side)
- The tiller can be of 57 cm or 80 cm.
- The gear-box is screwed (PICT 2).
- The ridger can be adjustable (PICT 3 Ref. "B") or fixed (see PICT 4).

All the identification references (code number, engine, weight, power) are printed on the number plate on the machine (PICT 6 Ref. "D").

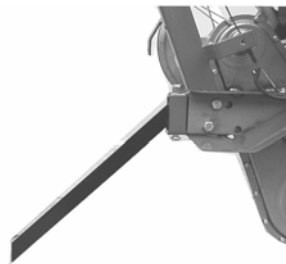
-PICT n°2-



-PICT n°3-



-PICT n°4-



-PICT n°6-



BENASSI S.p.A
VIA LAMPEDUSA 140010 S.MATTEO DELLA DECIMA (BO) ITALY
MACCHINA : MOTOZAPPA
MODELLO :
MATRICOLA :
POTENZA :
PESO :
ANNO :
CE

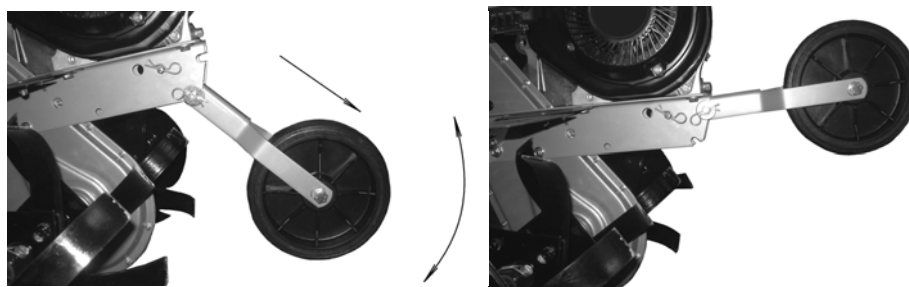
INSTRUCTIONS FOR MOTORHOE ASSEMBLY

The machine is packed in a box of the following dimensions :

◇ WIDTH: 80 cm.	◇ HEIGHT: 70 cm.	◇ LENGHT: 45 cm.
------------------------	-------------------------	-------------------------

- Take the machine out of the carton box.
- Fit the two tillers to the main shaft using the delivered screws and nuts.
- Fit the rear spur in its place using the delivered bolt and both pins which are on the spur holder.
- Fit the handlebar on the support:
 - The model with the vertical adjustment is fitted with two screws and nuts already fitted on the handlebar.
 - The model with the full-side adjustment (rack, wheel system) is fitted with the parts already mounted on the handlebar holder.
- The front wheel holder is fitted to the frame by means of two pins with cotter and spring. The small wheel has to be fitted on the holder through screw and nut. To put the small wheel in the requested position pull outwards till the pin is completely inside the buttonhole (see picture n.7).
- Fit the two guard-extensions to the main tiller protections fitted on the body of the machine using the proper screws and nuts. The protection guards should reach a width of 60 cm according to CE norms.
- To make the transport easier it is possible to keep the handlebar disassembled, by means of the two screws in one version or by means of the thread bushing in the other one, that fix it to the handlebar holder.

-PICT n°7-



SECURITY TERMS



WARNING :

Please read very carefully this booklet before using your cultivator; Carefully using and servicing this machine, you will certainly get satisfactory performances for a long time.. FAILURE TO COMPLY WITH THESE INSTRUCTIONS MAY RESULT INSIDIOUS OR EVEN FATAL INJURY.

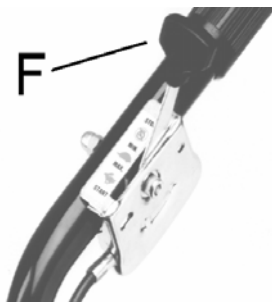
- The use of the machine is forbidden to persons younger than 16 years.
- The operator is responsible of any possible damage and he should always drive the machine carefully and safety.
- Before carrying the machine always empty the fuel tank.
- Before leaving the machine be sure that it is fully stopped.
- Never use the machine without heavy shoes and long transfers. Always inspect the area where you want to work taking off stones, branches, cables and any other thing which can be dangerous.
- Before start working, make sure that a radius of minimum 5 mt. is completely free.
- Clean any possible leakage of fuel.
- Fill up when the engine is off and not hot, always in an open space far from fires or any heating source and refrain from smoking during this operation.
- Before starting the machine make sure that you can quickly stop the engine and that you are familiar with the control levers.
- Never allow the engine to run in enclosed spaces where the highly toxic carbon monoxide could not evacuate.
- Never start or use the machine not completely assembled especially concerning the safety devices and the tiller protection guards which should always be completely assembled with all its extensions.
- Never fix or clean the tiller blades or any other tools when the engine is running.
- Attention ! Don't use the machine on sloping grounds exceeding the 30%
- We are not responsible for accidents due to the wrong use of the machine neglecting the above basic instructions.

STARTING AND STOPPING THE MACHINE

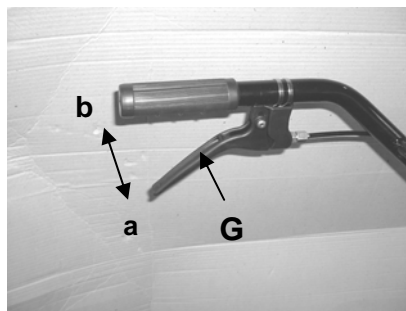
Starting the engine of the machine always follow these instructions very carefully:

- Check the oil in the engine : THE BRAND NEW MACHINE IS DELIVERED WITHOUT OIL IN THE ENGINE, THEREFORE YOU SHOULD FILL IT UP TO THE LEVEL ON THE DIP STICK OF THE OIL CUP.
- Please check the engine USE AND MAINTENANCE concerning the “operations before starting”.
- Start the engine only in open spaces.
 1. Pull the choke lever on the engine.
 2. Turn the accelerator lever “F” to the “MAX” position (PICT 8).
 3. The clutch lever “G” should be released in position “a” (PICT 9-10).
 4. Pull the starting rope by the handle “I” smoothly first than strongly: when you feel some resistance don’t leave the handle but help the recoiling of the rope with your hand (PICT 11).
 5. When the engine runs move the choke lever to the initial position and the accelerator lever in the mid-position (PICT 8).
 6. For stopping the engine move the accelerator lever “F” in “STOP” position.

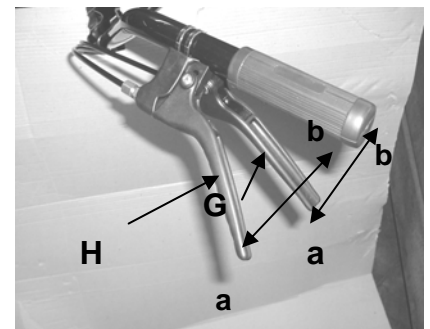
-PICT n°8-



-PICT n°9 -



-PICT n°10-



-PICT n°11-



USE AND ADJUSTMENT

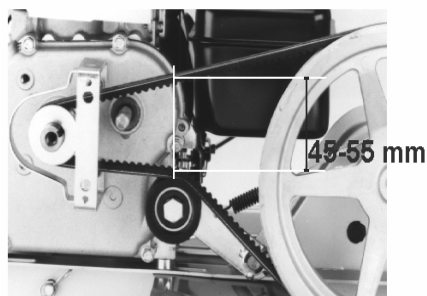
- You can start the rotation of the tiller pulling the clutch lever “G” up to position “b” (PICT 9-10) the machine will immediately stop releasing the lever.
- In the model BL350 with two levers you can insert the reverse gear pulling the hand lever “H” in position “b” (PICT 10).
- In the model BL300 pulling the clutch lever in position “b” the correct space of the internal sides of the belt (PICT 12) should be of 45-55 mm.
- In the model BL350 this space should be of 52 ± 5 mm (PICT. 13). Note that you can check this space only after removing the side plastic cover through the fixing screws.
- In the model BL350 pulling the reverse gear lever between the internal sides of the belt should be 35 ± 5 mm (PICT 14).
- The best adjustment is when the lever of the forward or of the reverse gear in the position shown in picture 15, at a distance of about 10 mm from the knob, tightens the belt. Should this not be the case, please proceed with the adjustments mentioned below.
- If the distance is different, you should adjust the tension of the idlers by means of the register screws “L” and “M” of picture 16, so that the belts do not slide when the idlers are tightened. If this adjustment is still not enough, you can move the engine on its guides after having turned out the clamping bolts: move the engine towards the handlebar if you have to reduce the space, or viceversa.
- The standard handlebars can be adjusted unscrewing the knob “N” (PICT 17) and setting the screw in one of the tree holes and than locking it again with the knob.

- In the type with full side and vertical adjustment (PICT 18) you have to release the blocking lever “P” than adjust the handlebar position as you prefer and lock it again.
- The standard tiller is 57 cm wide, with two sets of knives on each side, and the side protection plates.
- Adding other two sets of blades you can extend the tiller to 80 cm (PICT 6). The blades of the tiller-knives should always be directed ahead, towards the front of the machine.
- We recommend to use the tiller with the side plates because they improve the stability of the machine and they protect from plants and any other obstacle.
- As optional accessory the machine can fit an adjustable ridger delivered complete with its own support which should be fitted on the rear side of the machine, replacing the standard spur.

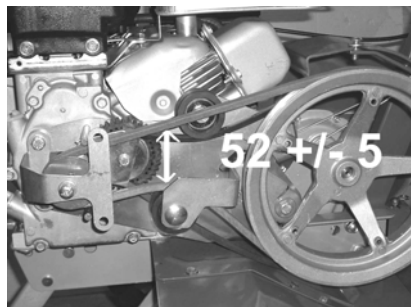


ATTENTION! PLEASE DO NOT KEEP THE ENGINE RUNNING WHEN THE MASCHINE IS NOT WORKING.

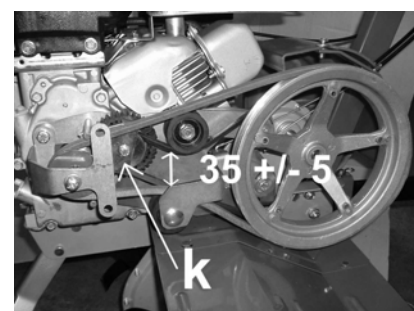
- PICT n°12-



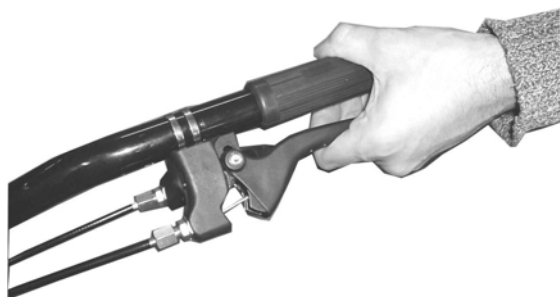
-PICT n°13-



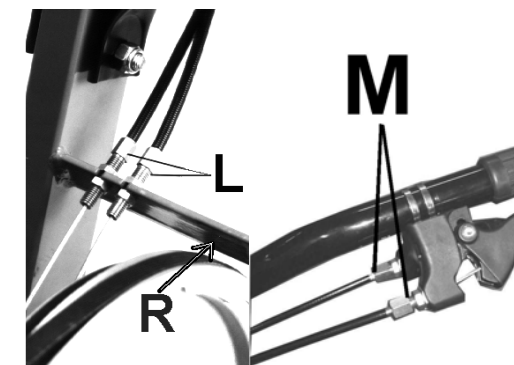
-PICT. n°14-



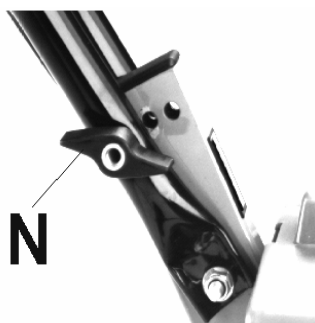
-PICT n°15-



PICT n°16-



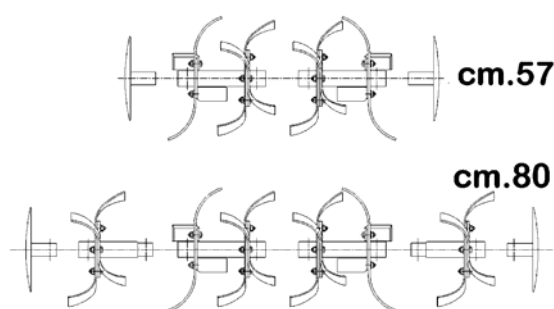
-PICT17-



-PICT 18-



-TILLER-



MAINTENANCE

- For the normal maintenance (oil, filter, spark plug) check the booklet for the engine included.
- The chain for the final transmission is lubricated with normal grease.



Every year you should introduce some grease through the hole “Q” (PICT 19) in the main body.

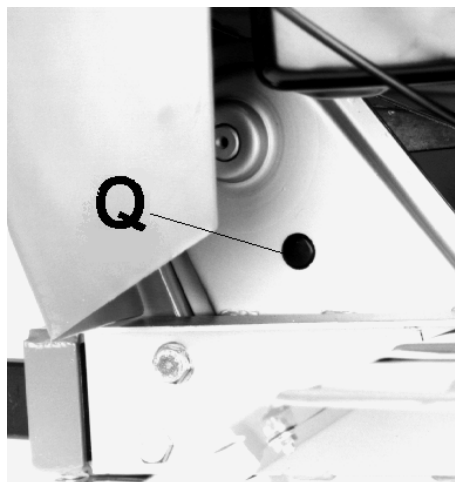
- Keep the machine and the tillers clean and check that all the screws and nuts are well tied, especially the screws of the tiller (always wear protection gloves working on the tiller).
- In case of breaking or wear you can replace the belt after taking off the side protection cover fixed to the frame near the engine shaft by two screws (PICT 12-13-14).
- In order to remove the belt of the reverse gear, it is necessary to remove the small cover (“K” PICT 14) by unscrewing its screw. Remove the belt from the pulleys, install the new belt end adjust it following the instructions mentioned in the chapter USE AND ADJUSTMENT by checking the distance between both sides of the belt, then replace the cover.
- The pin fixing the big pulley has also a safety purpose: in case heavy obstacle it will break avoiding damages to other parts of the machine.
- The replacement of the pin is very easy: you have to insert the new pin in the hole using a hammer.
- For any technical repair especially during the guarantee period, it is recommendable to apply to the specialized workshops of our dealers.



CAUTION

It is advised not to keep the motor running when the machine is not being used for its specific purpose

-PICT n°19-



WARRANTY

Our machines and accessories are guaranteed for 2 years excluding electric and rubber parts.

All the defective parts will be replaced free of charge excluding cost of labour and transport freight, which would be at customer's charge.

For any problem regarding the engine or any other part not of our production, please refer to the guarantee conditions stated by the manufacturer and apply to their assistance centres.

For any kind of problem or repair please apply to the dealer where you bought the machine.

TESTS FOR SAFETY - CE CERTIFICATION*CE Certificate of conformity in accordance with the directives 98/37/CE.***BENASSI****40010 San Matteo della Decima BO Italy Via Lampedusa n°1**

We hereby declare that the machine conforms with the essential requirements for health and safety in accordance with EEC Directive 98/37/CE

CULTIVATOR TYPE

MODEL **BL300/350, BL 300/350HS, BL 300/350 R**

For verification of the conformity with the afore-mentioned Directives reference has been made to the following norms: **UNI EN ISO 12100-1 EN ISO 121002 EN 709**

THE PRESIDENT



S.Matteo della Decima, 09.10.2007

TEST AND RESULT

TYPE: CULTIVATOR

MODEL **BL300/350, BL 300/350HS, BL 300/350 R**

Acoustic power level LwA = from 93 LdB (A) to 94 LdB (A)

Acoustic pressure to the operator's ear: LpA = 80 dB (A)

Test condition: 1,6 Mt in the middle of the handlebar

Vibration to handlebar with weighting UNI EN 1033 value: from 3,23 m/sec² to 4,99 m/sec²**BENASSI** SpA

VIA LAMPEDUSA 1

40010 S. MATTEO DELLA DECIMA (BO) ITALY

TEL. 0039/051/820534 TELEFAX 0039/051/682.61.64

Web: www.benassi.eu E-mail: export@benassispa.it

Dealer's stamp