

BENASSI®

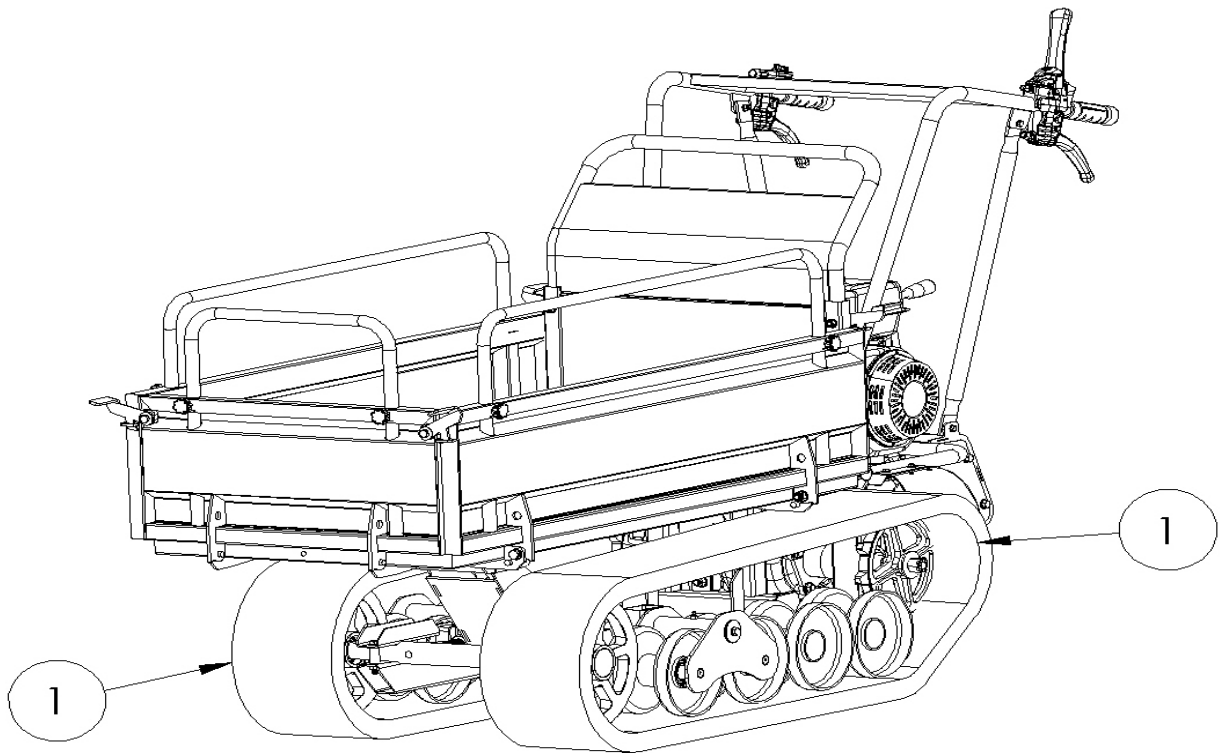
M500H

MINITRANSPORTER (CON RIBALTAMENTO IDRAULICO)

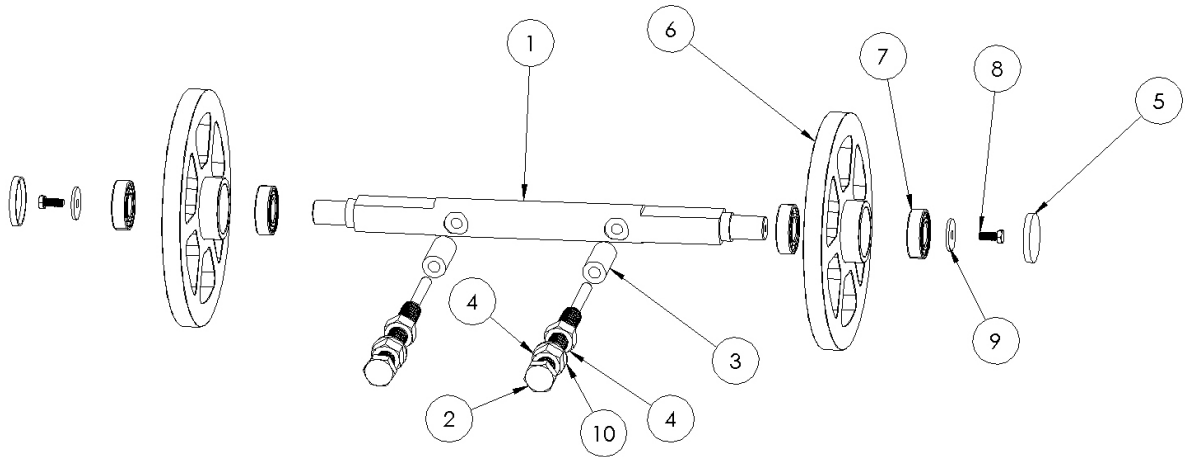
(8866927)

Tavole ricambi

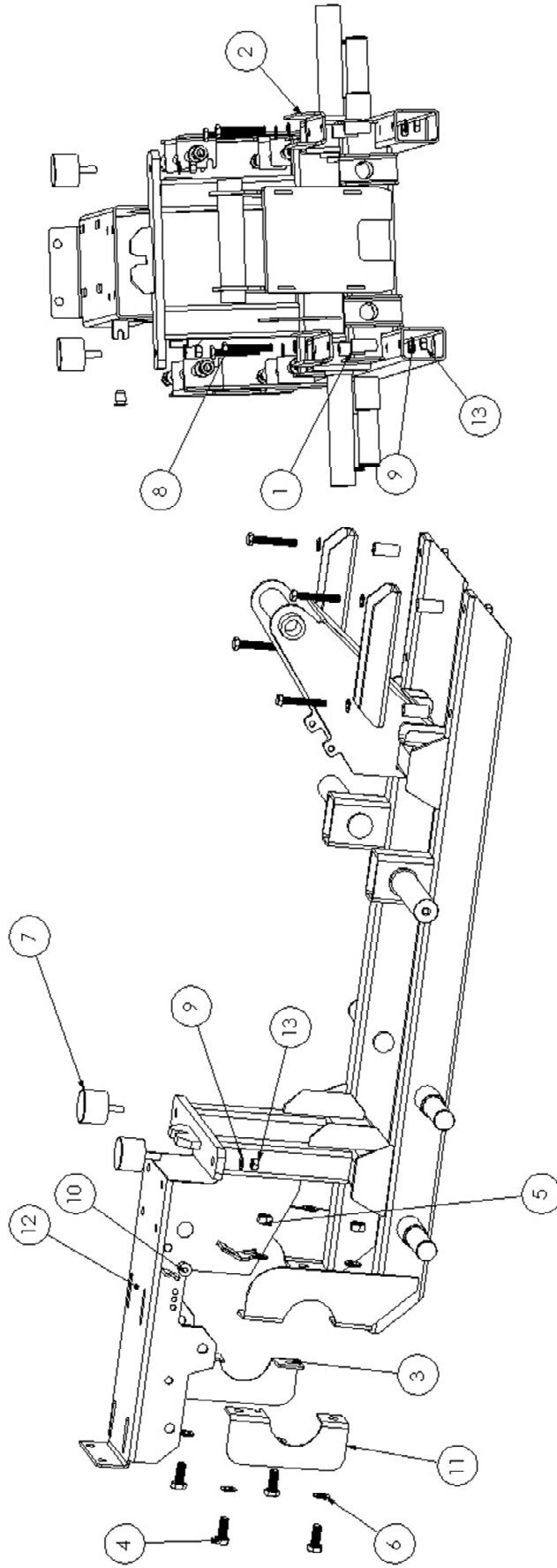
Spare parts manual



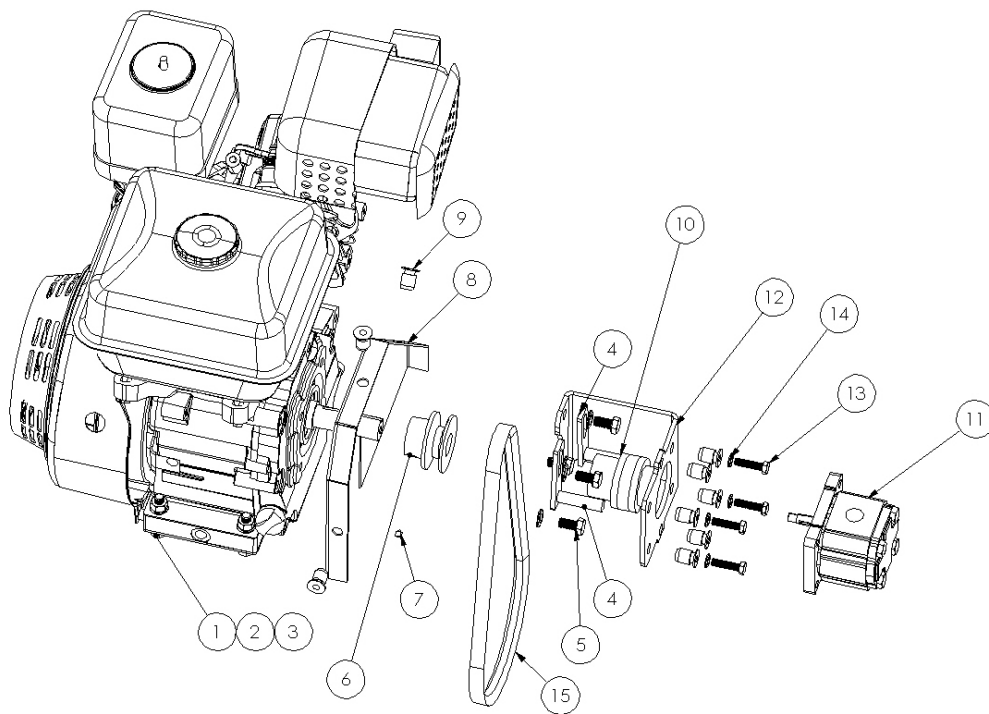
Pos.	Q.ty	ID Code	Commercial Description	Technical Description	Note
1	2	M500H-C46	Rubber Tracks	180x60x42 Rubber Tracks	



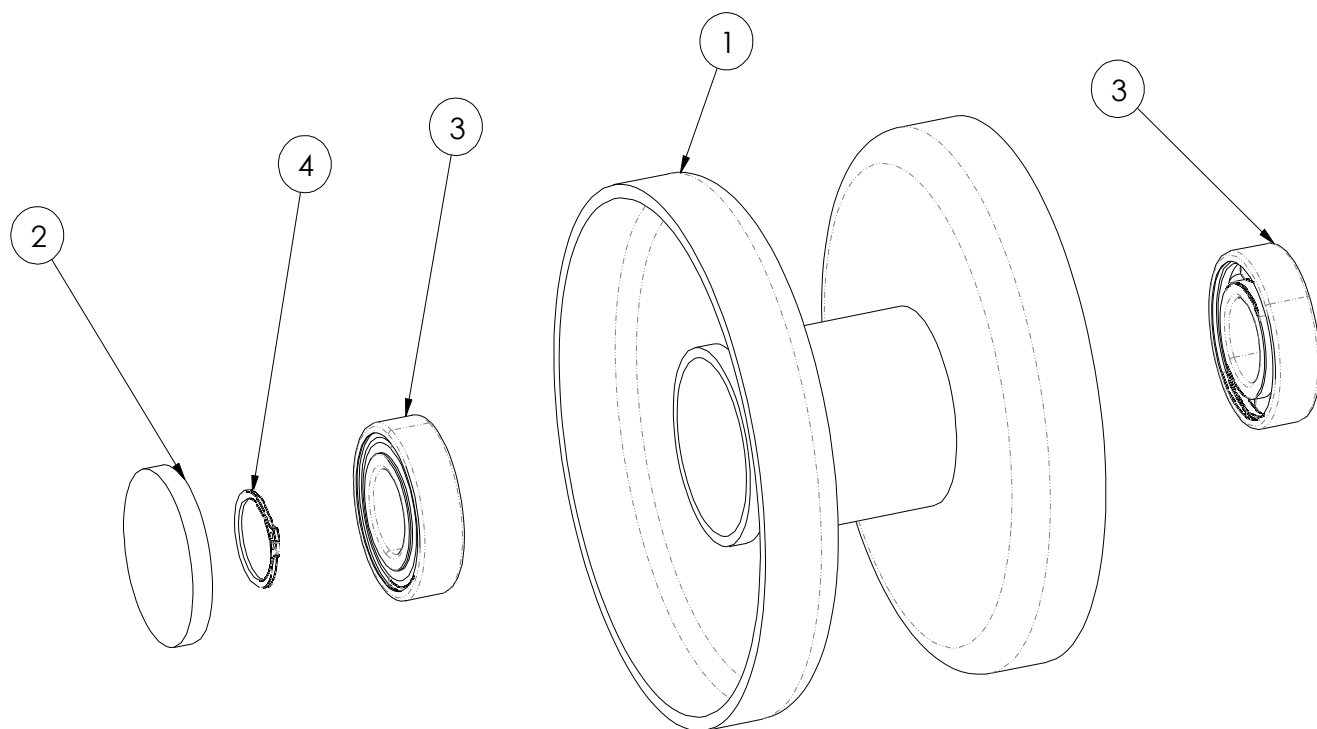
Pos.	Q.ty	Commercial description	Technical description	ID code	Note
1	1	Front axle	∅40x486 mm round bar	M500H-001-001	
2	2	ISO 4017 - TE M20 x 230	ISO 4017 - M20 x 230 hexagonal head screw	M500H-001-002	
3	2	Compression spring	ISO YELLOW MOULD SPRING - G0050	M500H-C1	
4	4	M20 - UNI 5588 NUT	M20 - UNI 5588 NUT	M500H-C2	
5	2	∅52 X 7 mm end cover seal	∅52 X 7 mm end cover seal	M500H-C3	
6	2	Track idler wheel	∅250 thickness 20 mm sheet metal	M500H-001-006	
7	4	6205_Z ball bearing	6205_Z ball bearing	M500H-C4	
8	2	ISO 4017 - M8 x 20 hexagonal head screw	ISO 4017 - M8 x 20 hexagonal head screw	M500H-C5	
9	2	M8 Special washer	∅34 - ∅9 - 3 mm thickness washer	M500H-001-009	
10	2	M20 washer - ISO 7089	M20 washer - ISO 7089	M500H-C47	



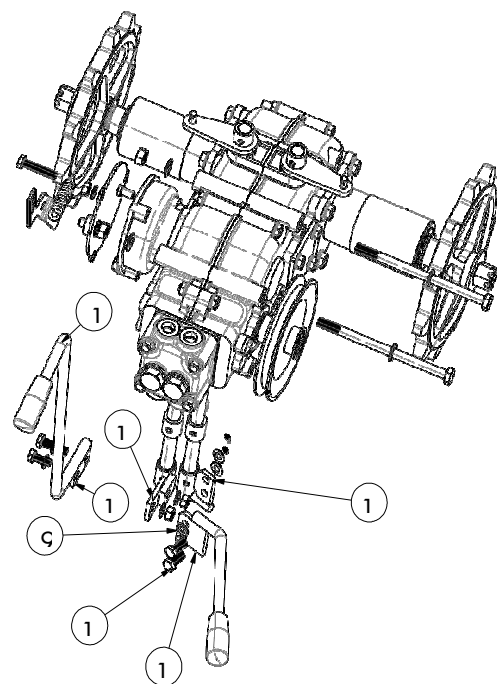
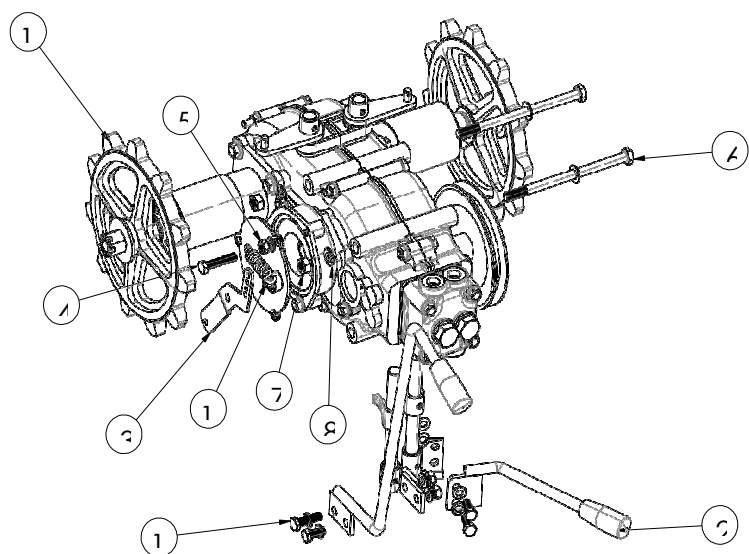
Pos.	Q.ty	Commercial Description	Technical Description	ID code	Note
1	4	Front axle spacer	n 15 L=30,5 mm round bar	M500H-002-010	
2	2	Front axle bracket	170x94,53x3mm sheet metal	M500H-002-011	
3	1	Left transmission support counter bracket	148x94,3x3mm sheet metal	M500H-002-015	
4	4	ISO 4017 - M10 x 25 hexagonal head screw	ISO 4017 - M10 x 25 hexagonal	M500H-C6	
5	4	ISO 4032 - M10 nut	ISO 4032 - M10 nut	M500H-C7	
6	8	ISO 7090 - M10 washer	ISO 7090 - M10 washer	M500H-C8	
7	2	Rubber stop	n 40 L=30 mm rubber stop M8	M500H-C13	
8	4	ISO 4017 - M8 x 55 hexagonal head screw	ISO 4017 - M8 x 55 hexagonal	M500H-C9	
9	8	ISO 7090 - M8 washer	ISO 7090 - M8 washer	M500H-C10	
10	1	M6 threaded insert	M6 threaded insert	M500H-C12	
11	1	Right transmission support counter bracket	148x94,3x3mm sheet metal	M500H-002-031	
12	1	Chassis	Welded chassis	M500H-002-001	
13	4	ISO 4032 - M8 nut	ISO 4032 - M8 nut	M500H-C11	



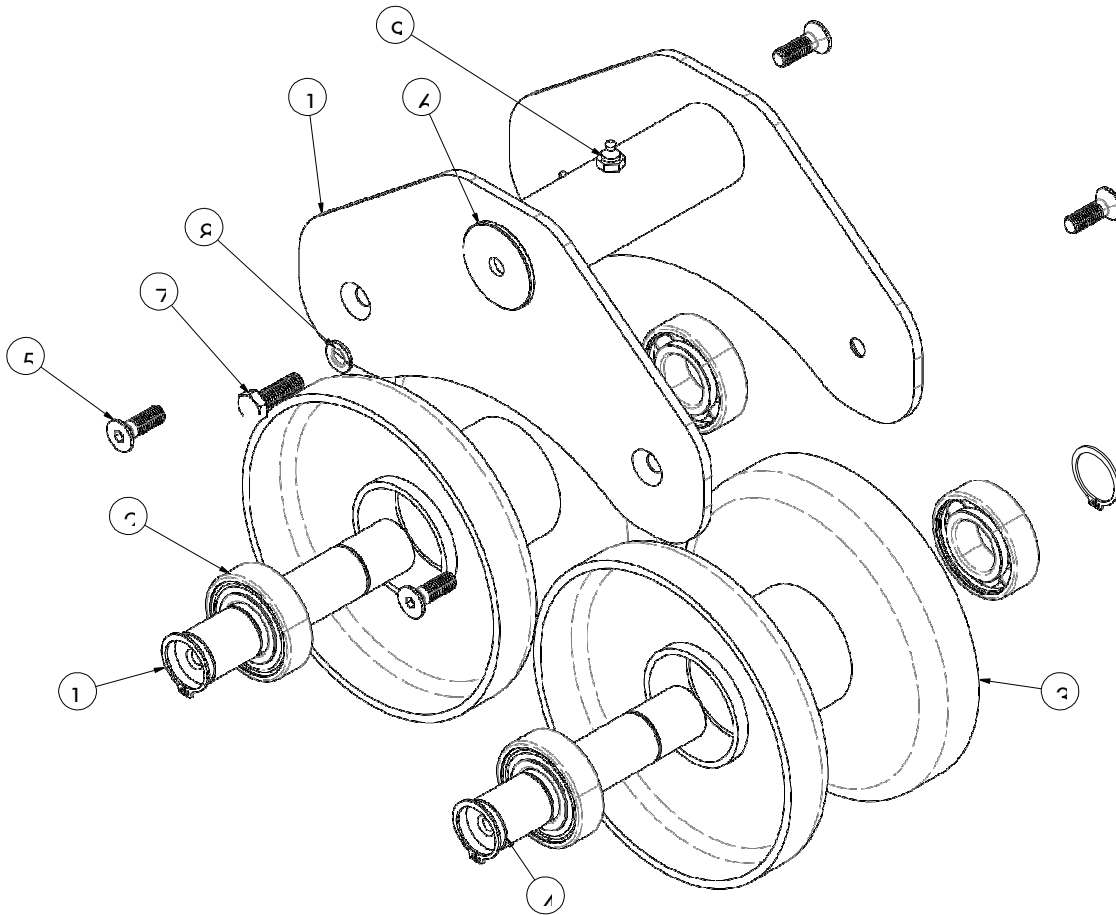
Pos.	Q.ty	Commercial Description	ID Code
1	4	ISO 4017 - M8 x 40 hexagonal head screw	MCH.M500H-C14
2	4	ISO 4032 - M8 Nut	M500H-C11
3	12	ISO 7090 - M8 washer	MCH.M500H-C10
4	2	Belt guide	MCH.M500H-003-004
5	4	ISO 4017 - M8 x 16 hexagonal head screw	MCH.M500H-C15
6	1	Engine pulley	MCH.M500H-C48
7	1	ISO 4026 - M5x5 mm grain	MCH.M500H-C16
8	1	Belt protection plate	MCH.M500H-003-008
9	9	M6 threaded insert	MCH.M500H-C12
10	1	Elastic Joint cod. ND510	MCH.M500H-C48
11	1	Pump cod. 1VP 3.2 D L3 T0 B0	MCH.M500H-C47
12	1	Pump support	MCH.M500H-003-012
13	4	ISO 4017 - TE M6 x 25	MCH.M500H-C34
14	4	Rondella M6 ISO 7090	MCH.M500H-C39
15	1	A27 Belt	MCH.M500H-C45



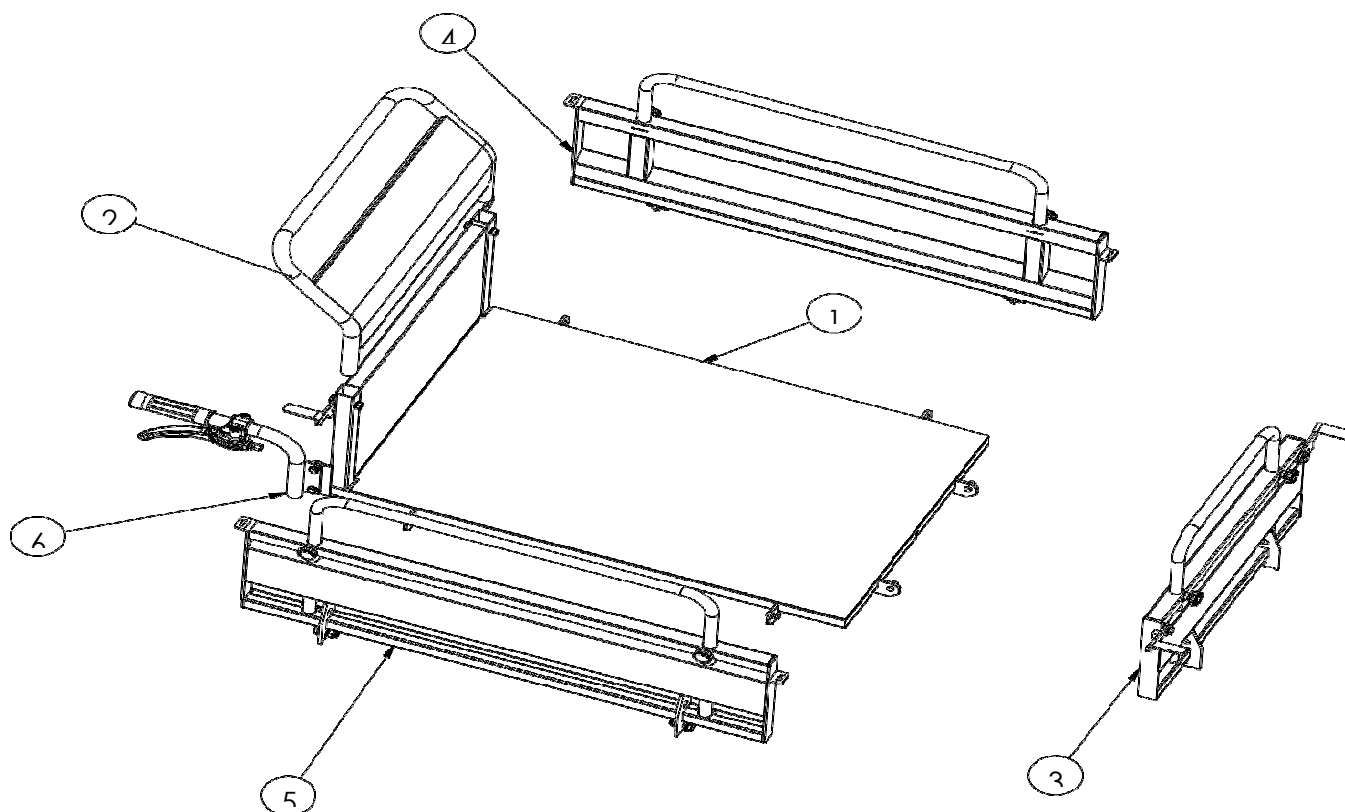
Pos.	Q.ty	Commercial description	Code
1	1	Steel roller	MCH.M500H-C50
2	1	∅52 x 7 mm end cover seal	MCH.M500H-C3
3	2	6205_Z ball bearing	MCH.M500H-C4
4	1	DIN 471 - Seeger albero 25	MCH.M500H-C49



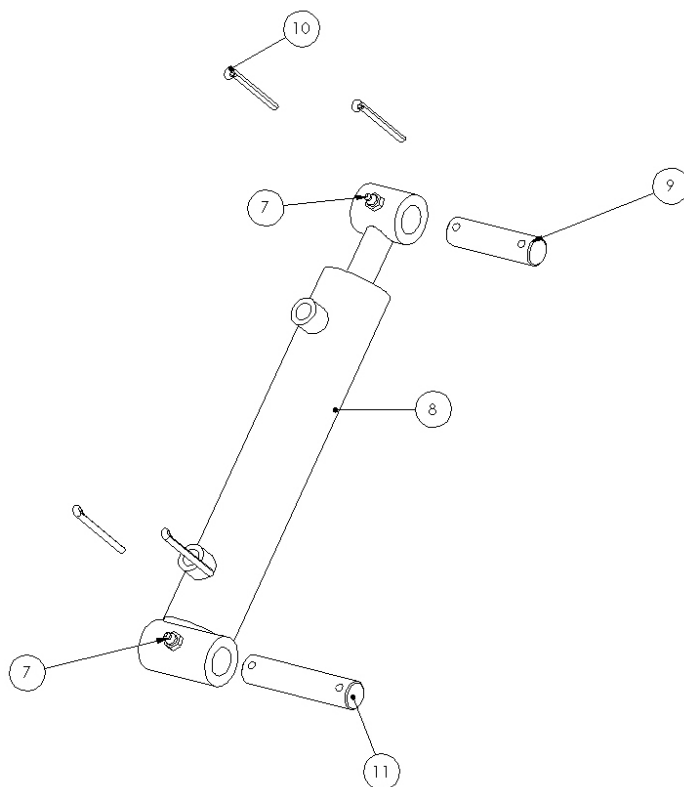
Pos.	Q.ty	Commercial description	code
1	1	Gear lever	MCH.M500H-007-001
2	1	Speed lever	MCH.M500H-007-002
3	1	Brake lever	MCH.M500H-007-003
4	1	ISO 4017 - M8 x 40 hexagonal head screw	MCH.M500H-C14
5	5	ISO 4032 - M8 nut	MCH.M500H-C11
6	2	ISO 4014 - M10 x 160 x 26 hexagonal head screw	MCH.M500H-C17
7	2	ISO 4032 - M10 nut	MCH.M500H-C7
8	4	ISO 7090 - M10 washer	MCH.M500H-C8
9	9	ISO 7090 - M8 washer	MCH.M500H-C10
10	2	Traction wheel	MCH.M500H-C47
11	1	Tension spring	MCH.M500H-C1.1
12	1	45X25X5 mm sheet metal	MCH.M500H-007-012
13	1	45x30x5 mm sheet metal	MCH.M500H-007-013
14	1	40x25x5 mm sheet metal	MCH.M500H-007-014
15	1	40x40x5 mm sheet metal	MCH.M500H-007-015
16	1	ISO 4017 - M8 x 30-S hexagonal head screw	MCH.M500H-C51
17	3	ISO 4017 - hexagonal head screw M8x 20	MCH.M500H-C5



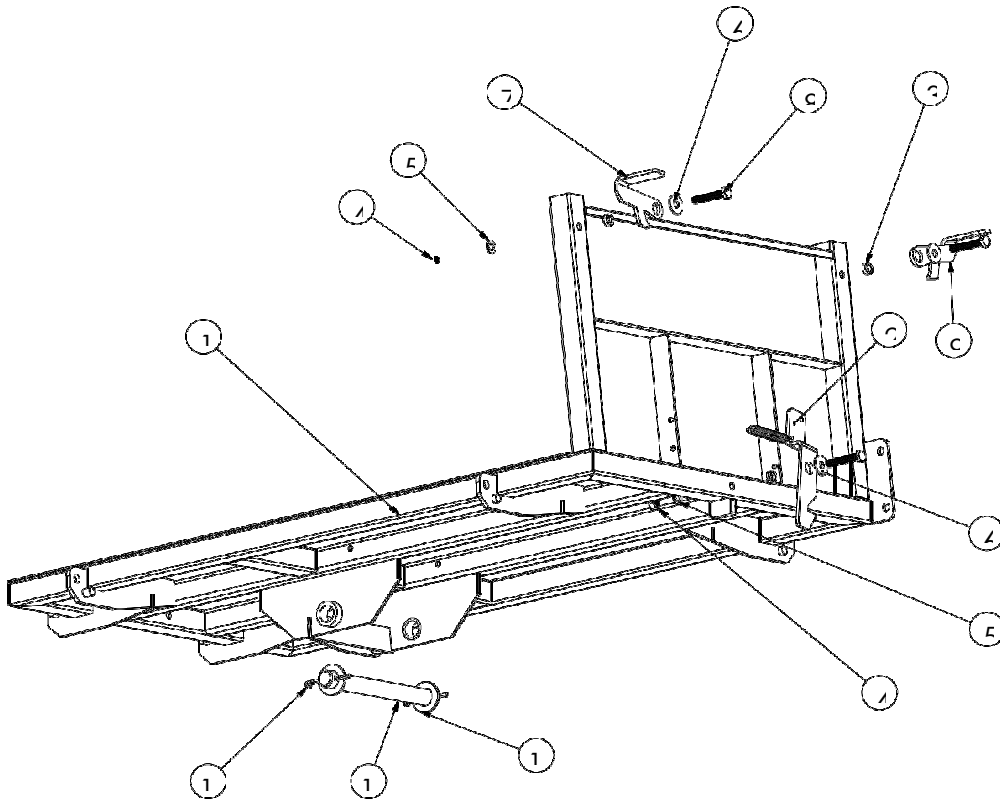
Pos.	Q.ty	Commercial description	ID code
1	1	Rotating sheet metals group	MCH.M500H-008-001
2	4	6205_Z ball bearing	MCH.M500H-C4
3	2	Steel roller	MCH.M500H-C50
4	2	Rotating roller shaft	MCH.M500H-008-004
5	4	ISO 10642 - M8 x 25 flat countersunk head screw with hexagon socket	MCH.M500H-C18
6	1	Special washer	MCH.M500H-008-006
7	1	ISO 4017 - TE M8 x 25 hexagon head screw	MCH.M500H-C19
8	1	Rosetta elastica DIN 127 - M8	MCH.M500H-C16.1
9	1	UNI 7663-A M6x3 mm straight grease nipple	MCH.M500H-C20
10	4	Seeger DIN 471 - albero 25 x 1.2	MCH.M500H-C49



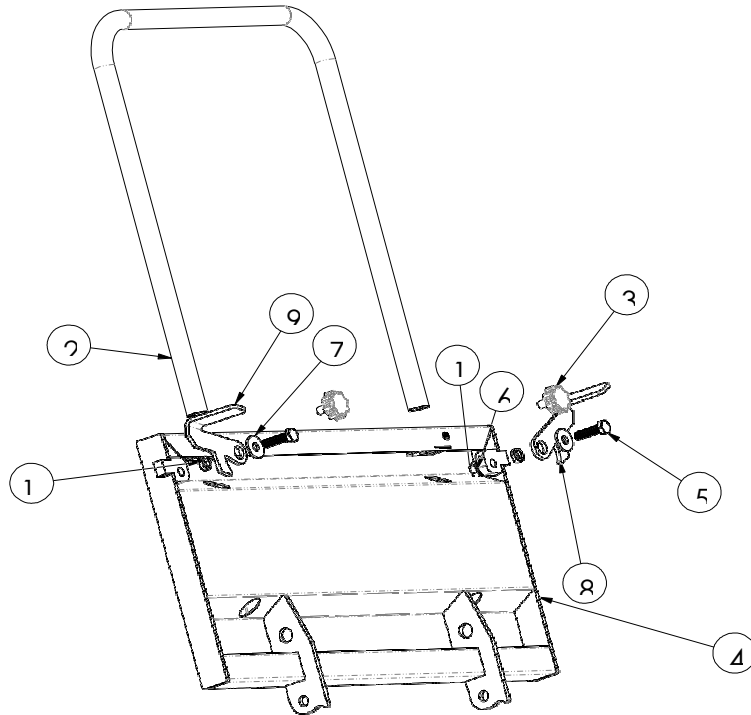
Pos.	Q.ty	Commercial description	ID code
1	1	Gruppo pianale di carico	MCH.M500H-009-001
2	1	Gruppo protezione posteriore sfilabile	MCH.M500H-009-002
3	1	Gruppo sponda anteriore	MCH.M500H-009-003
4	1	Gruppo sponda sinistra	MCH.M500H-009-004
5	1	Gruppo sponda destra	MCH.M500H-009-005
6	1	Gruppo leva sollevamento	MCH.M500H-009-006



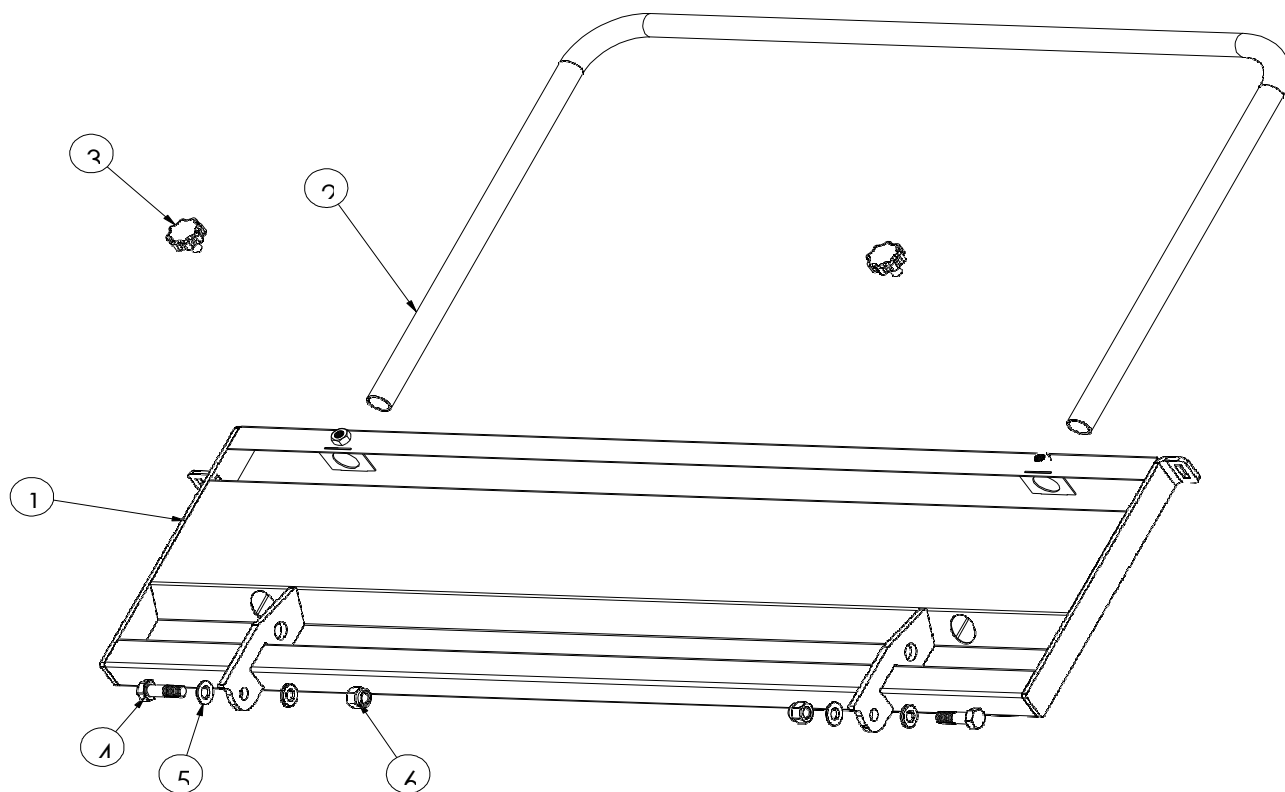
Pos.	Q.ty	Commercial description	ID code
7	2	UNI 7663-A M6x3 mm straight grease nipple	MCH.M500H-C20
8	1	Hydraulic piston n 50 mm	MJCH500-09
9	1	n 20 mm piston pin	MCH.M500H-014-003
10	4	n5 mm cotter pin	MCH.M500H-C22
11	1	n 20 mm cylinder pin	MCH.M500H-014-005



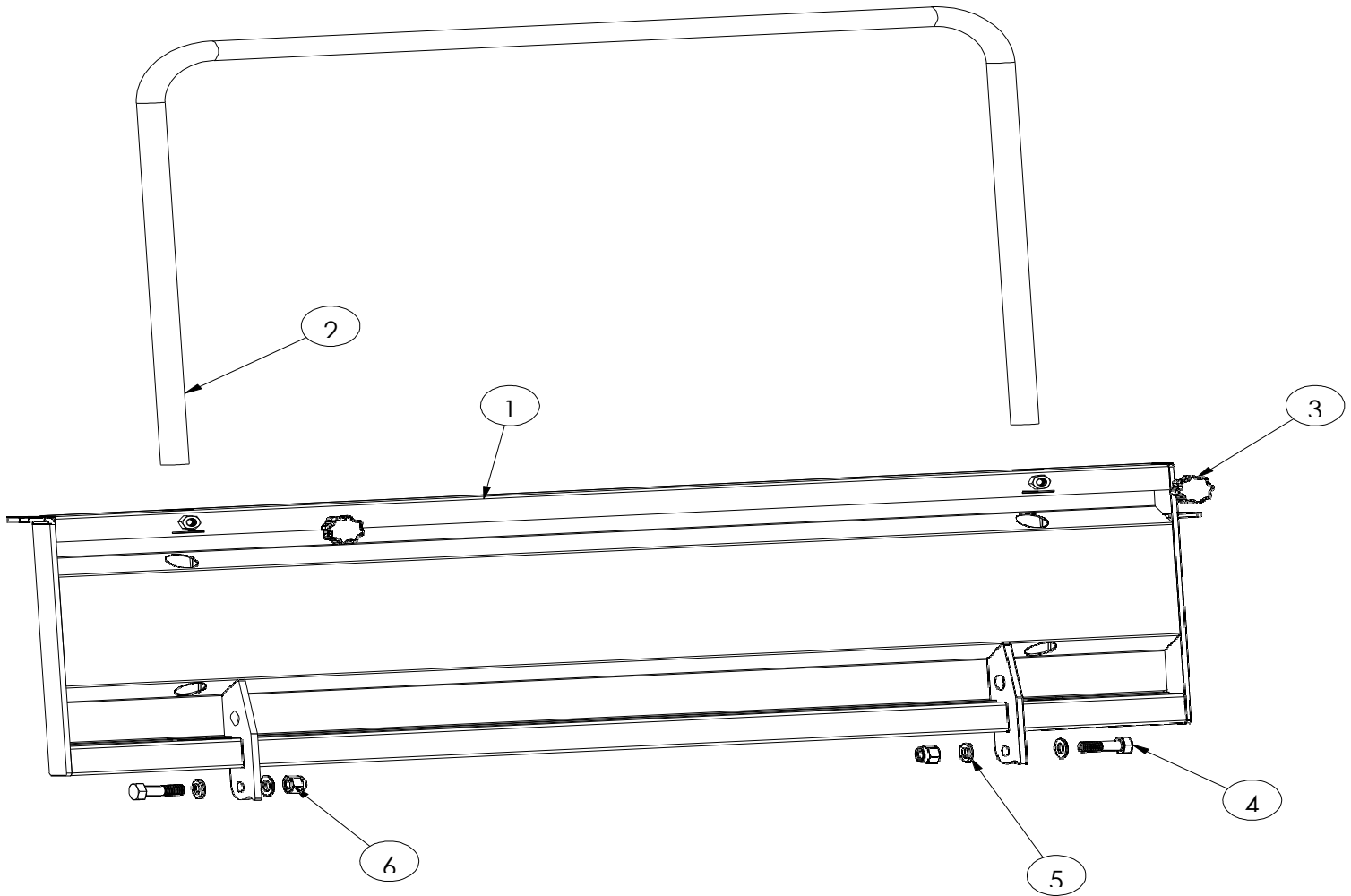
Pos	Q.ty	Commercial description	ID code
1	2	Platform	MCH.M500H-009-001
2	1	Anti-lift hook	MCH.M500H-009-001-011
3	3	Bushing spacer	MCH.M500H-009-001-013
4	3	ISO 4032 - M8 nut	MCH.M500H-C11
5	3	ISO 7090 - M8 washer	MCH.M500H-C10
6	3	ISO 7093 - Large M8 washer	MCH.M500H-C24
7	1	Left closing lever	MCH.M500H-009-001-022
8	3	ISO 4014 - Hesagonal head screw M8 x 45-S	MCH.M500H-C52
9	1	Right closing lever	MCH.M500H-009-001-024
10	2	Coppiglia D5	MCH.M500H-C22
11	2	Rondella ISO 7089-M20	MCH.M500H-C47
12	1	Perno Carrello	MCH.M500H-009-007
13	1	Traction spring	MCH.M500H-C1.2



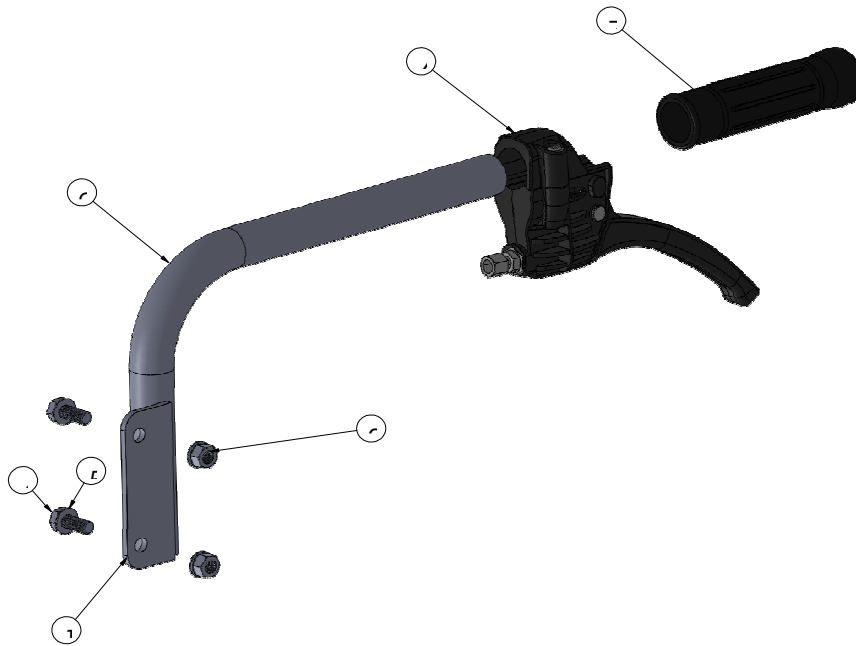
Pos .	Q.ty	Commercial description	ID code
1	4	ISO 4032 - M8 nut	MCH.M500H-C11
2	1	Roll bar	MCH.M500H-009-003-006
3	2	M8 knob	MCH.M500H-C27
4	1	Front side group	MCH.M500H-009-003
5	2	ISO 4017 - Hesagonal head screw M8 x 30	MCH.M500H-C51
6	2	ISO 7090 - M8 washer	MCH.M500H-C10
7	2	ISO 7093 - M8 large washer	MCH.M500H-C24
8	1	Left closing lever	MCH.M500H-009-001-022
9	1	Right closing lever	MCH.M500H-009-001-024
10	2	Closing lever bushing	MCH.M500H-009-001-013



Pos.	Q.ty	Commercial description	ID code
1	1	Left side group	MCH.M500H-009-004
2	1	Roll bar	MCH.M500H-009-004-005
3	2	M8 knob	MCH.M500H-C27
4	2	VITE ZAPPETTE M10 x 30 P1.5 FIL15	MCH.M500H-C54
5	4	ISO 7090 - M10 washer	MCH.M500H-C8
6	2	UNI 7473 - M10 SELF LOCKING NUT	MCH.M500H-C53

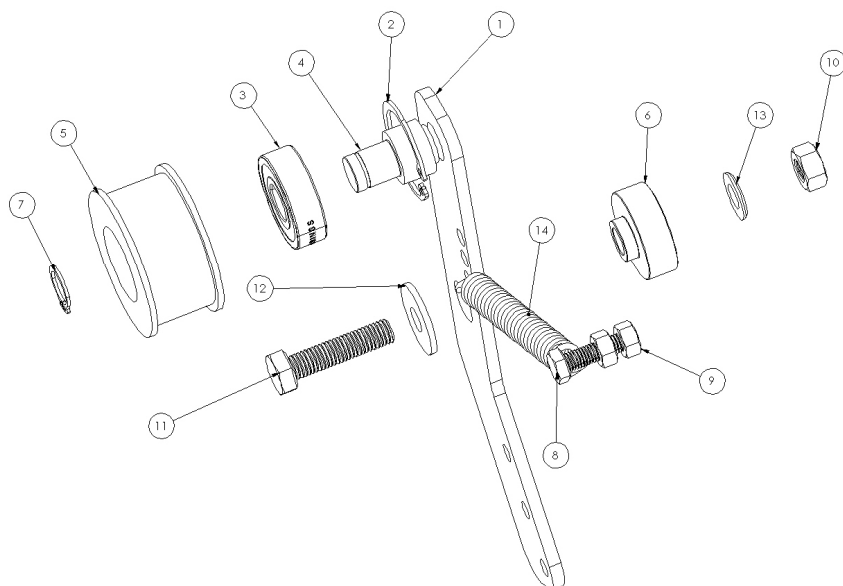


Pos.	Q.ty	Commercial description	ID code
1	1	Right side group	MCH.M500H-009-005
2	1	Roll barr	MCH.M500H-009-004-005
3	2	M8 knob	MCH.M500H-C27
4	2	VITE ZAPPETTE M10 X 30 P1,5 FIL.15	MCH.M500H-C54
5	4	ISO 7090 - RONDELLA M10	MCH.M500H-C8
6	2	UNI 7473 - M10 SELF LOCKING NUT	MCH.M500H-C53

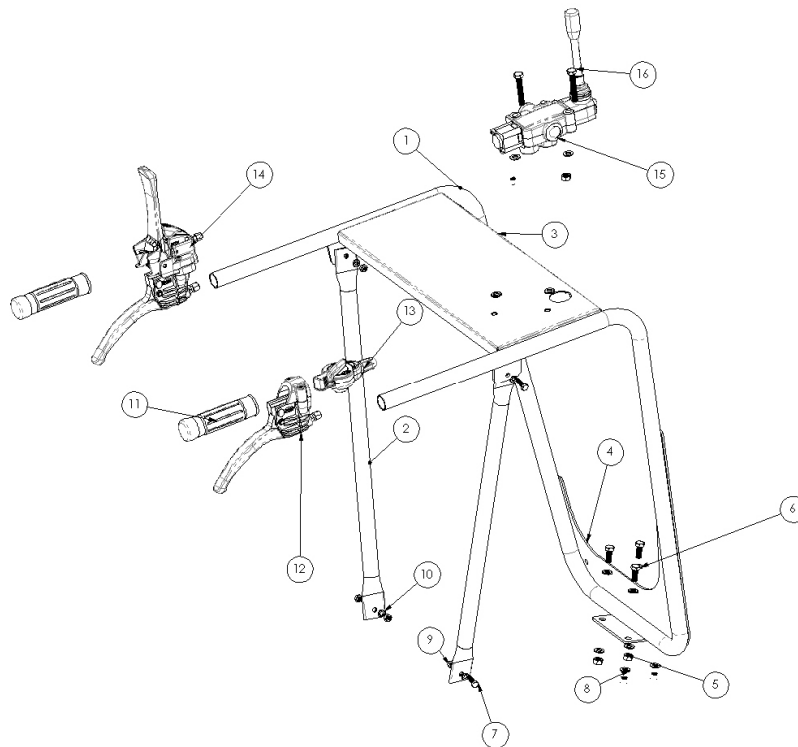


Pos.	Q.ty	Commercial description	ID code
1	1	Lifting tube plate	MCH.M500H-009-001-003
2	1	Lifting tube	MCH.M500H-009-006-002
3	2	ISO 4032 - M8 Nut	MCH.M500H-C11
4	2	ISO 4017 - M8 x 20 hexagonal head screw	MCH.M500H-C5
5	4	ISO 7090 - M8 Washer	MCH.M500H-C10
6	1	Simple lever	MCH.M500H-C28
7	1	Ø 25 Knob	MCH.M500H-C29

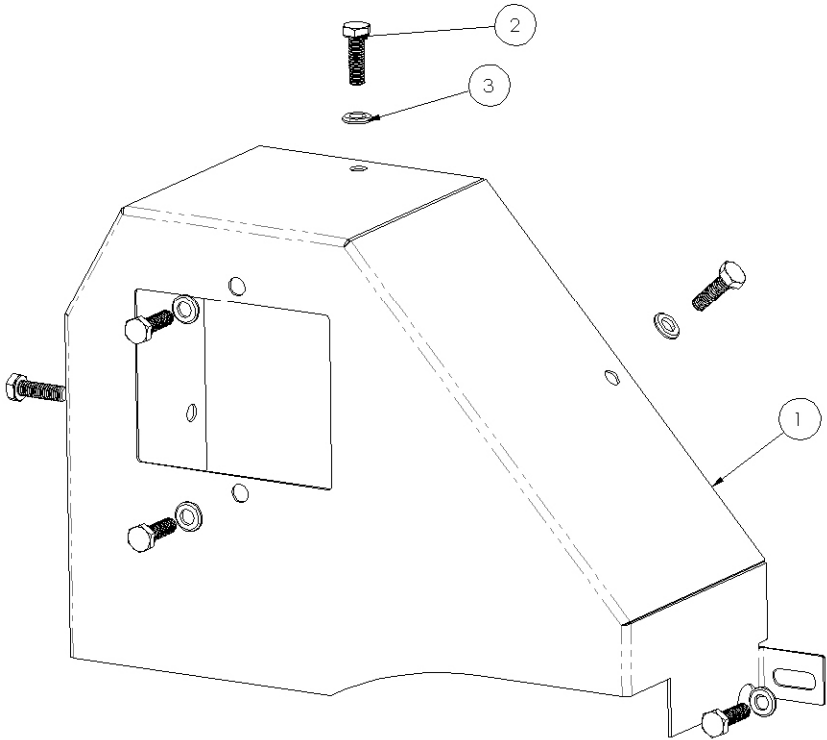
Ø



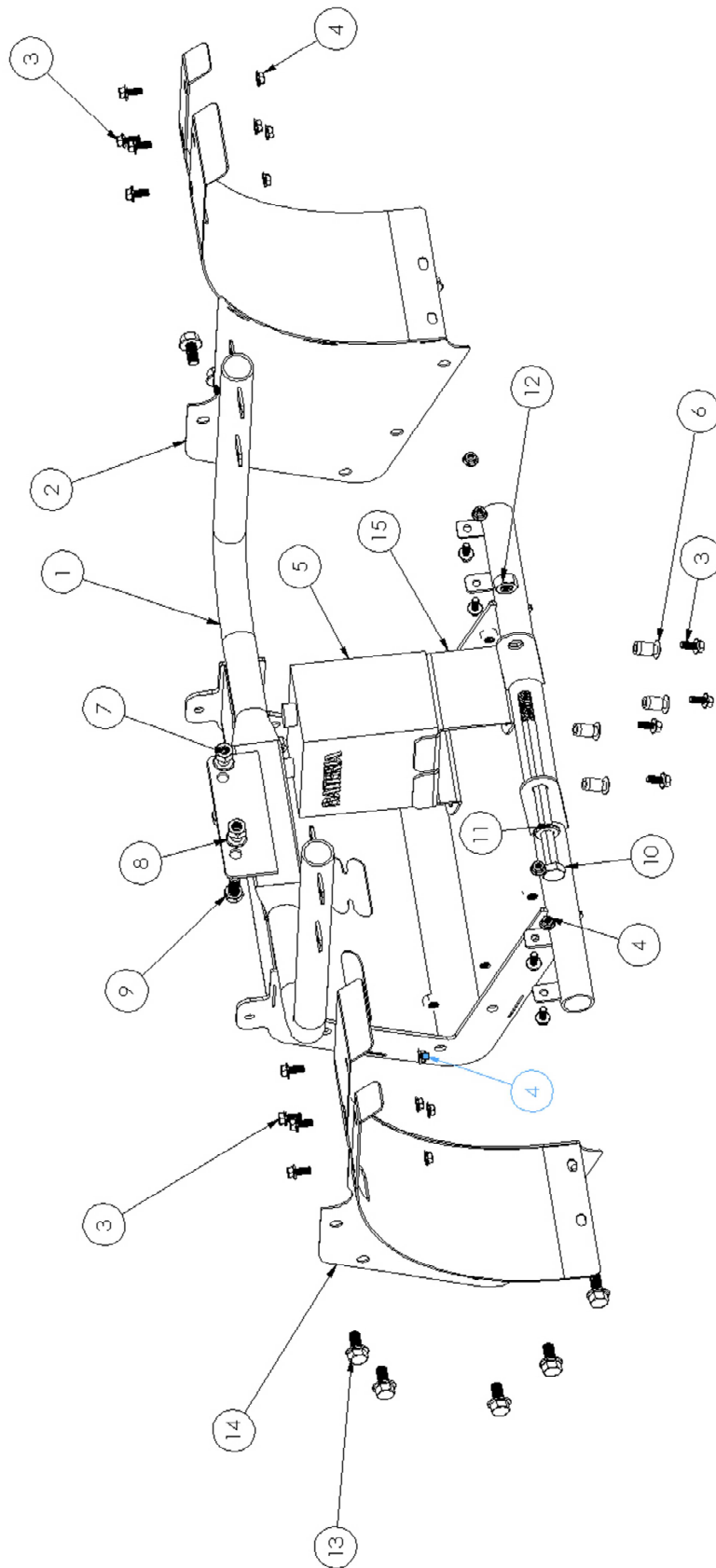
Pos.	Q.ty	Commercial description	ID code
1	1	Rocker plate	MCH.M500H-010-001
2	1	Seeger 32mm DIN472	MCH.M500H-C30
3	1	6201-2RS Ball Bearing	MCH.M500H-C31
4	1	Steel shaft	MCH.M500H-010-004
5	1	Pulley	MCH.M500H-010-005
6	1	Centering bush	MCH.M500H-010-006
7	1	Seeger DIN 471 - 12 x 1	MCH.M500H-C32
8	1	ISO 4017 - M6 x 25 hexagonal head screw	MCH.M500H-C34
9	2	ISO 4032 - M6 nut	MCH.M500H-C35
10	1	ISO 4032 - M8 nut	MCH.M500H-C11
11	1	ISO 4017 - hesagonal head screw M8 x 35	MCH.M500H-C54
12	1	ISO 7093 - M8 large washer	MCH.M500H-C24
13	1	ISO 7090 - M8 washer	MCH.M500H-C10
14	1	Traction spring	MCH.M500H-C1.2



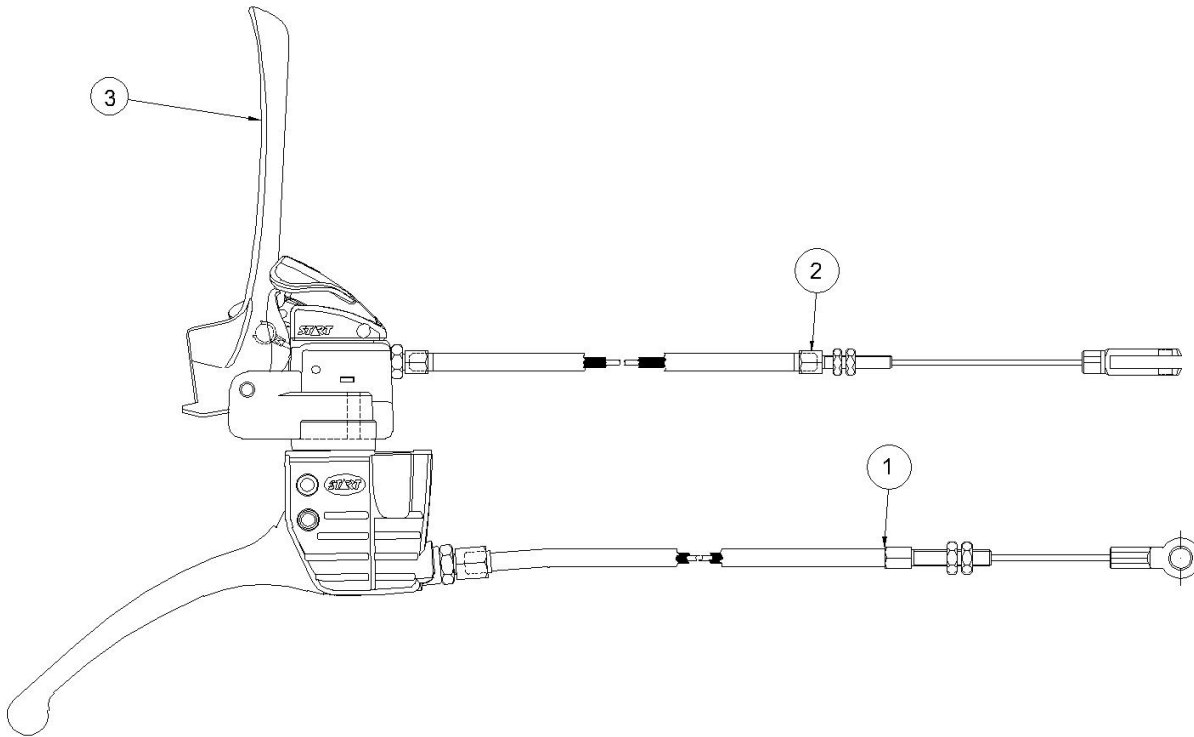
Pos.	Q.ty	Commercial description	ID code
1	1	Front handlebar	MCH.M500H-011-001
2	2	Rear handlebar	MCH.M500H-011-002
3	1	Handlebars cover	MCH.M500H-011-003
4	1	Handlebars stiffener	MCH.M500H-011-004
5	6	ISO 4032 - M8 nut	MCH.M500H-C11
6	4	ISO 4017 - M8 x 20 hexagonal head screw	MCH.M500H-C5
7	4	ISO 4017 - M6 x 20 hexagonal head screw	MCH.M500H-C38
8	12	ISO 7090 - M8 washer	MCH.M500H-C10
9	4	ISO 4032 - M6 nut	MCH.M500H-C35
10	8	ISO 7090 - M6 washer	MCH.M500H-C39
11	2	n25 knob	MCH.M500H-C29
12	1	Simple lever	MCH.M500H-C28
13	1	Throttle lever	MCH.M500H-C37
14	1	Combined lever	MCH.M500H-C36
15	1	HYDRAULIC Distributor MD3001	MCH.M500H-C49
16	2	ISO 4017 VITE TE - M8 x 50-S	MCH.M500H-C57



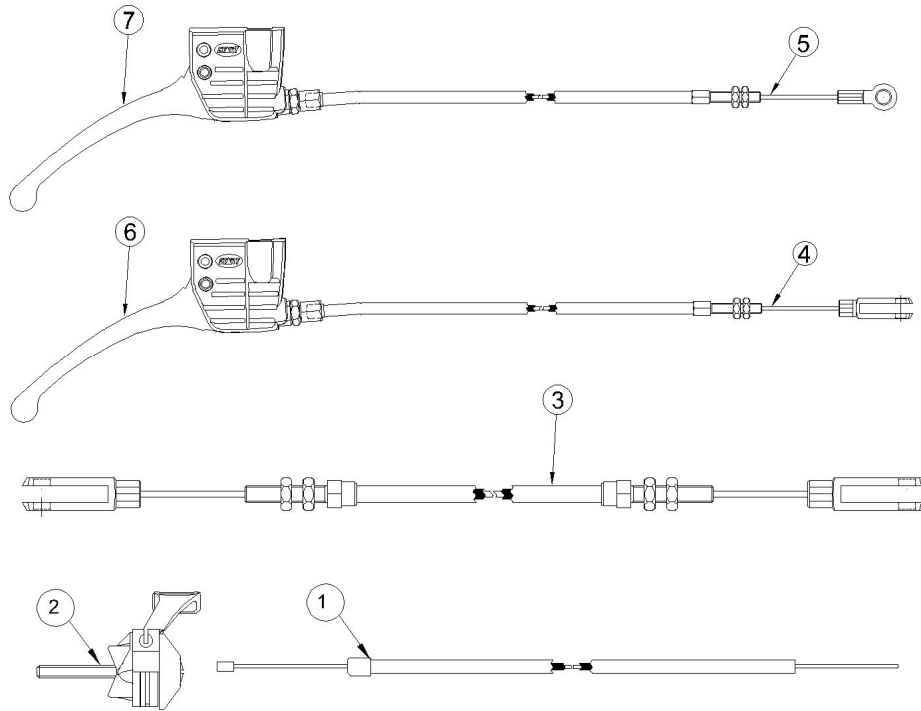
Pos.	Q.ty	Commercial description	ID code
1	1	Belt cover	MCH.M500H-012-001
2	4	ISO 4017 - M6 x 20 hexagonal head screw	MCH.M500H-C38
3	4	ISO 7090 - M6 washer	MCH.M500H-C39



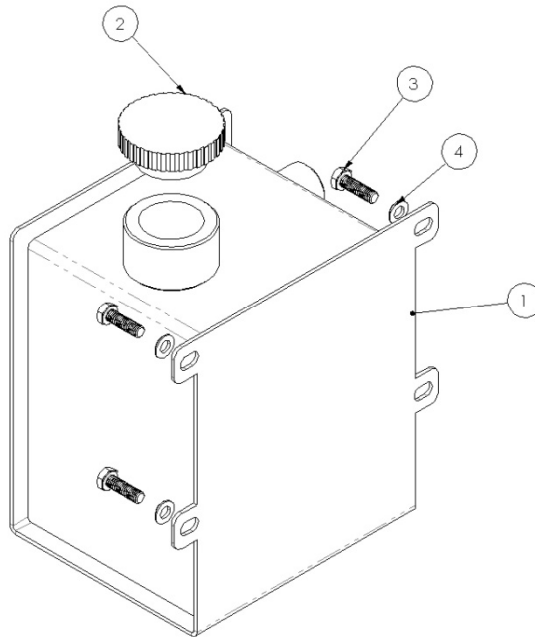
Pos.	Q.ty	Commercial description	ID code
1	1	Cover frame	MCH.M500H-013
2	1	Rubber truck left cover	MCH.M500H-013-006
3	16	DIN 6921 - M5 x 12 flanged hexagonal head screw	MCH.M500H-C40
4	12	DIN 6923 - M5 flanged nut	MCH.M500H-C41
5	1	Battery	MCH.M500H-C62
6	4	M5 threaded insert	MCH.M500H-C42
7	12	ISO 4032 - M8 nut	MCH.M500H-C11
8	4	ISO 7090 - M8 washer	MCH.M500H-C10
9	2	ISO 4017 - M8 x 20 hexagonal head screw	MCH.M500H-C5
10	1	ISO 4014 - M10 x 160 x 26 hexagonal head screw	MCH.M500H-C17
11	2	ISO 7090 - M10 washer	MCH.M500H-C8
12	1	ISO 4032 - M10 nut	MCH.M500H-C7
13	10	DIN 6921 - HESAGONAL HEAD SCREW M8 x 16 FLANGED	MCH.M500H-C55
14	1	Right side rubber cover	MCH.M500H-013-019
15	1	Battery support	MCH.M500H-013-020



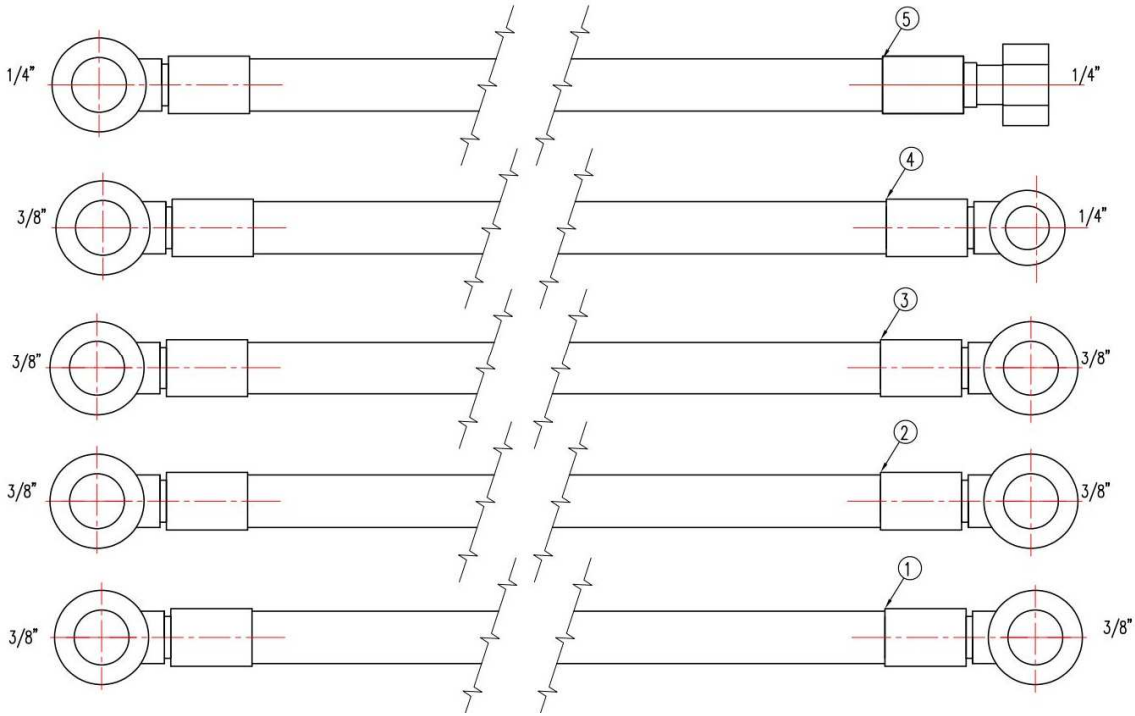
Pos.	Q.ty	Commercial description	ID code
1	1	Left directional lever cable	MCH.M500H-C60
2	1	Starter cable	MCH.M500H-C61
3	1	Left combined lever	MCH.M500H-C36



Pos.	Q.ty	Commercial description	ID code
1	1	Throttle cable	MCH.M500H-C57
2	1	Throttle lever	MCH.M500H-C37
3	1	Tensioner-Brake cable connection	MCH.M500H-C36
4	1	Open lever cable	MCH.M500H-C58
5	1	Right directional lever cable	MCH.M500H-C59
6	1	Right directional lever	MCH.M500H-C28
7	1	Open lever	MCH.M500H-C28



Pos.	Q.ty	Commercial description	ID code
1	1	Oil tank	MCH.M500H-015
2	1	G1" Oil cap	MCH.M500H-C50
3	4	ISO 4017 - M6 x 20 hexagonal head screw	MCH.M500H-C38
4	4	ISO 7090 - M6 washer	MCH.M500H-C39



Pos.	Q.ty	Commercial description	Technical description	ID code
1	1	Aspiration tank - aspiration pump tube	3/8"x 550 a=90°	MCH.M500H-C63
2	1	Exit pump - distributor entrance tube	3/8"x 600 a=90°	MCH.M500H-C64
3	1	Distributor discharge - tank entrance	3/8"x 1080 a=0°	MCH.M500H-C65
4	1	Front exit distributor-piston foot tube	1/4"x 2020 a=0°	MCH.M500H-C66
5	1	Rear exit distributor-piston head tube	1/4"x 2020 a=0°	MCH.M500H-C67

