

BENASSI®

BL365

MOTOZAPPATRICE

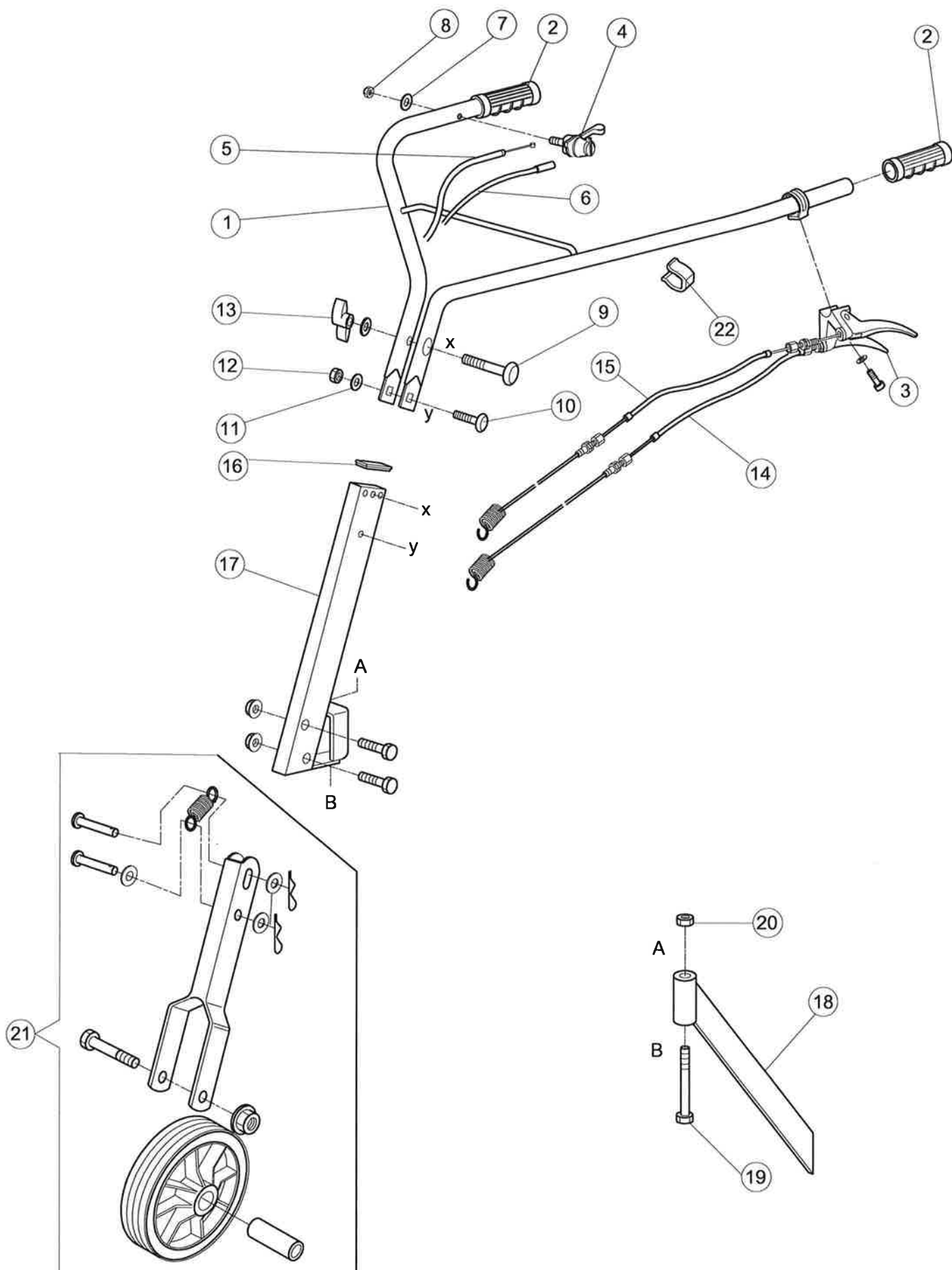
TAVOLE RICAMBI



Rif .

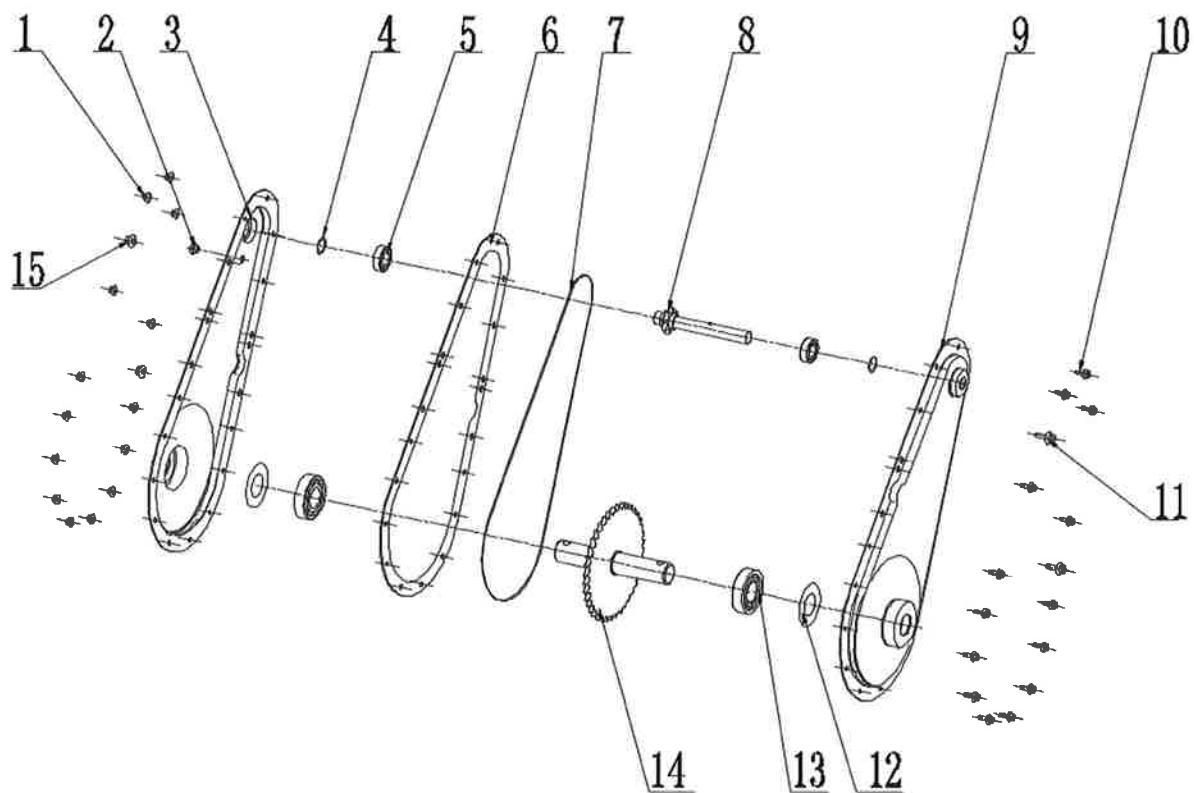
- | | |
|-----|-------------------------------|
| 1 | Trasmissione catena |
| 2 | Motore |
| 3 | Carter protezione |
| 4 | Trasmissione cinghia e cofano |
| 5 | Longheroni |
| 6 | Fresa |
| 483 | Stegola sperone Ruotino |

MATRICOLA A PARTIRE DA : 20 2201 158878
02/09/2022 R00

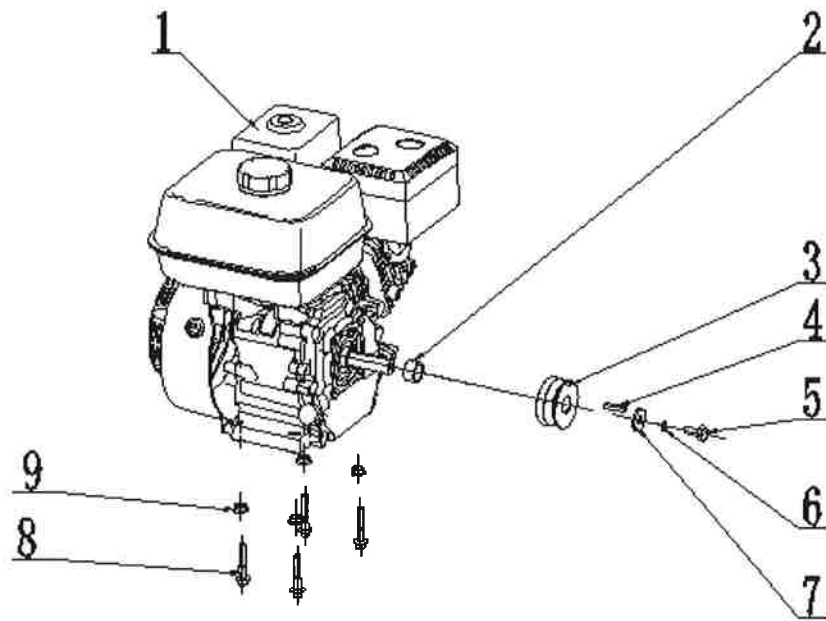


80000483 Tav.483 Stegola BL365

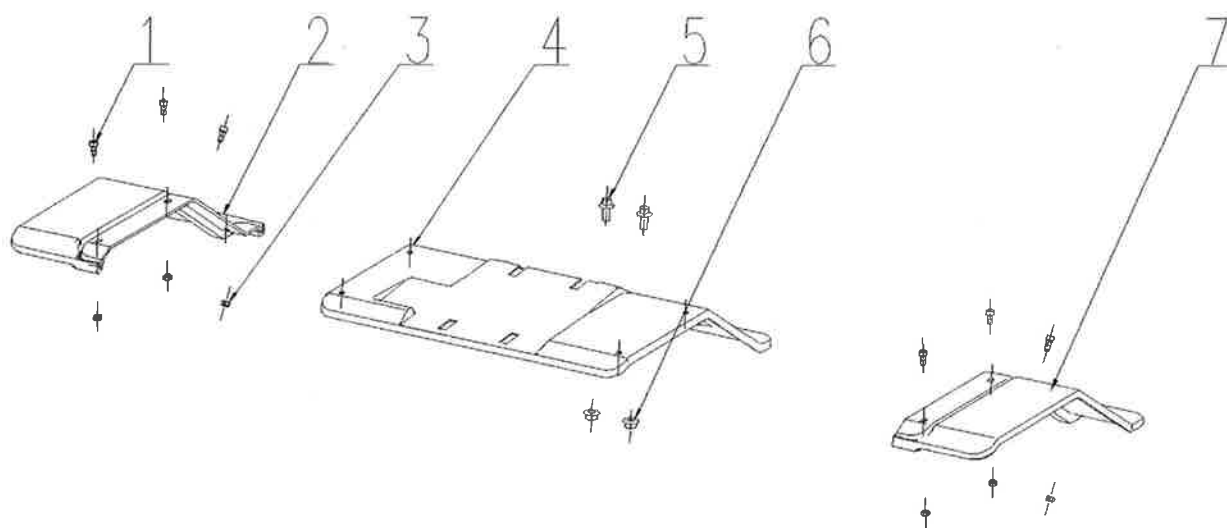
Pos.	Codice	Descrizione	Q.ta'
001	0239130530	STEGOLA FISSA D25 BL354 NERA	1
002	0226600200	MANOPOLA D25 CHIUSA NERA PVC SH65	2
003	0239110140	LEVA DOPPIA c/SICURA LAKD BL350/365/370	1
004	0209700030	MANETTINO ACCEL.+ON/OFF M6x70	1
005	0243810230	FILO ACCELERATORE F1150 G1010	1
006	0226600422	FILO STOP MOTORE F1000/G890	1
007	0203100040	RONDELLA DENTELLATA D.6 DIN6798A	1
008	0200300120	DADO CIECO M6 CH10x12 UNI5721 ZNC	1
009	0226900240	VITE TTQST M8x90 UNI5732 (+dado)	1
010	0226200490	VITE TTQST M8x50 UNI5732 (+dado)	1
011	0200100070	RONDELLA D8 UNI6592 DIN125A ZNC	2
012	0222700120	DADO FLANGIATO ZIGRINATO M8 DIN6923 ZN	1
013	CC48800	VOLANTINO TRILOBATO M8 /F	1
014	63443200	FILO RM BL365	1
015	63443100	FILO MA BL365	1
016	0223600210	TAPPO RETTANGOLARE NERO 50x25x1-3	1
017	0585358C0	SUPPORTO MANUBRIO FISSO BL365 R9005	1
018	0229400320	SPERONE FISSO LAMA BL300/350 R9005	1
019	0220000320	VITE TE M12x90 UNI5737	1
020	0220000360	DADO AUTOBL.M12 h14,5 UNI7473 alto ZNC	1
021	6850900P	SUPPORTO RUOT.PREM. BL350/5000 R9005	1
022	0215300140	FASCETTA FERMAFILO PER TUBO Ø26	2



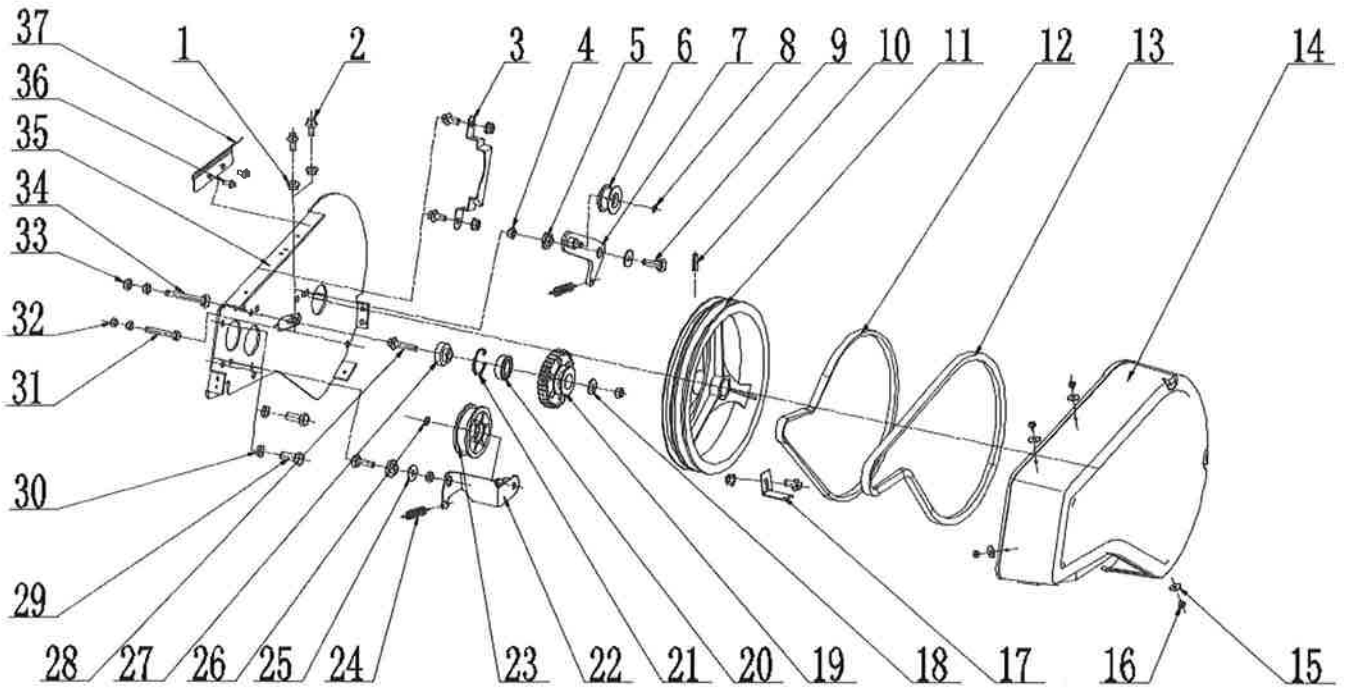
POS	CODICE	DESCRIZIONE	Q.TA
1	90605-0600-M9	Dado M6 Nut M6	14
2	20109-T01501	Tappo Oil plug	1
3	20103-T06801-B02	Carter dx Transmission case right	1
4	91802-0020	Rondella Adjusting shim	2
5	91613-6003-P63	Cuscinetto 17 x 35 x 10 Bearing	2
6	20117-T06801	Guarnizione Transmission box paper pad	1
7	20111-T06801	Catena Chain	1
8	20112-T06801	Pignone Drive sprocket	1
9	20102-T06801-B02	Carter sx Left transmission case	1
10	90301-0614-09	Vite M6 x14 Bolt	14
11	90103-0812-09	Vite M8 x12 Bolt	2
12	20124-T06801	Rondella 30 X 60 X 1.5 Dustproof felt	2
13	91613-6206-P63	Cuscinetto 30 X 62 X 16 Bearing	2
14	20113-T06803	Albero E23 + Corona dentata Driven sprocket	1
15	90605-0800-M9	Dado M8 Nut M8	2



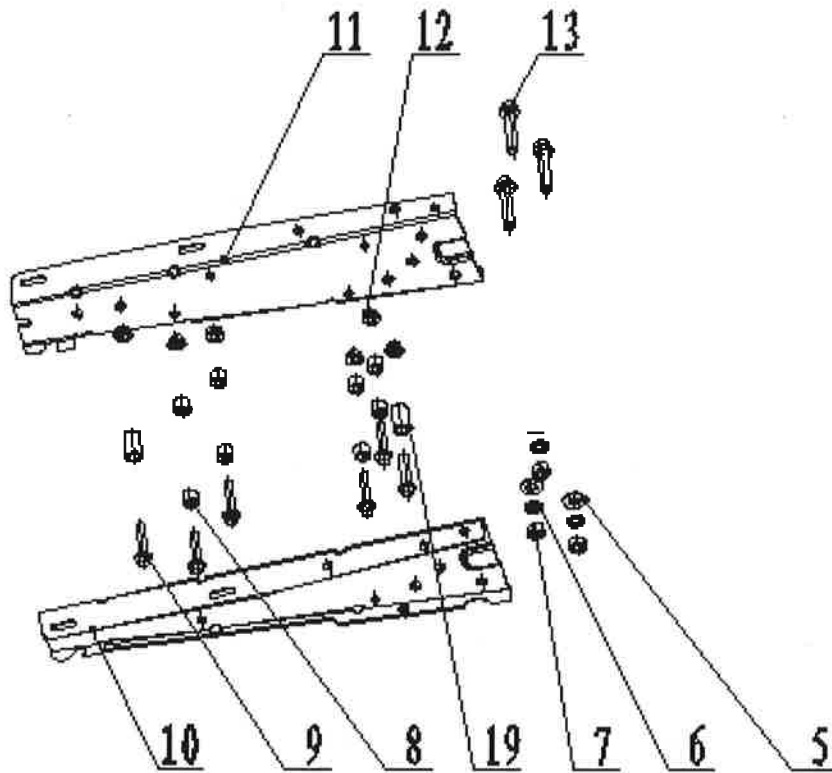
POS	CODICE	DESCRIZIONE		Q.TA
1		Motore H170F	Gasoline engine	1
2	25706-T06803-9	Boccola	Drive pulley bushing	1
3	25700-T06801	Puleggia motrice	Driving pulley	1
4	91502-0011	Rondella	Flat key	1
5	90201-2420-09	Vite 16 24 20	The imperial bolts	1
6	90801-0003-Z9	Grower	spring washer	1
7	90702-0002-Z9	Rondella 8 X 2	flat washer	1
8	90103-0840-09	Vite M8 x 40	Bolt	4
9	90602-0800-39	Dado M8	Nut	4



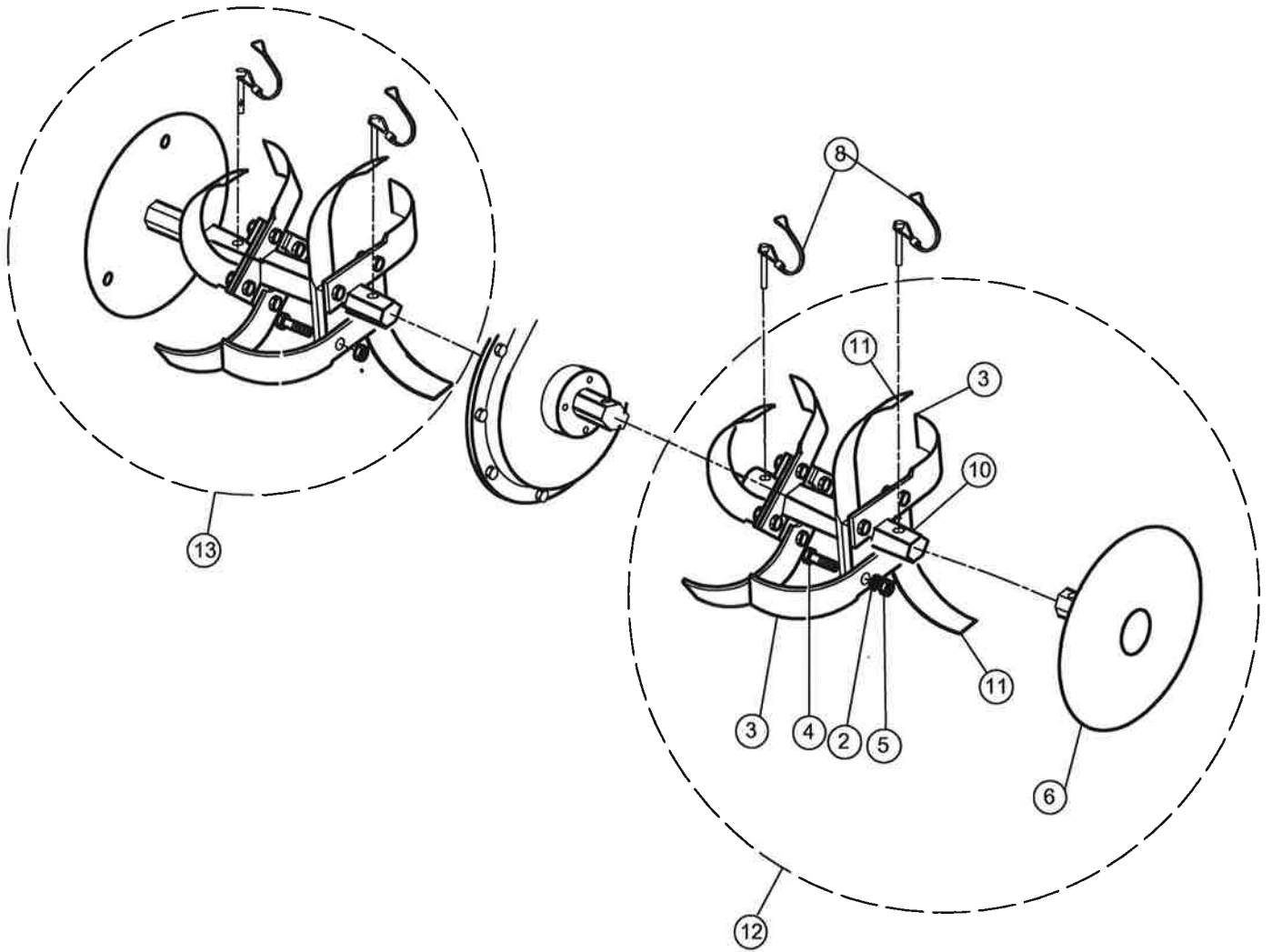
POS	CODICE	DESCRIZIONE		Q.TA
1	90107-0512-09	Dado M5 X 12	Bolt	4
2	25402-T06801-B02	Carter destro	Right fender	1
3	90602-0500-39	Dado M5	Nut	6
4	25405-T06801-Y01	Carter centrale	The fender	1
5	90103-0816-09	Vite M8 X 16	Bolt	2
6	90602-0800-39	Dado M8	Nut	2
7	25401-T06801-B02	Carter sinistro	Left fender	1



POS	CODICE	DESCRIZIONE	DESCRIPTION	Q.TA
1	90602-0800-39	Dado M8	NUT M8*1.25	6
2	90103-0816-09	Vite M8 x 16	BOLT M8*1.25*16	5
3	25502-T06801-9	Vite	BELT SHIELD BLOCK	1
4	90605-0800-M9	Vite M8 x 25	BOLT M8*1.25*25	3
5	25803-T06801-9	Boccola	TENSIONING WHEEL BUSHING	2
6	25800-T06802	Galoppino	TENSIONING WHEEL ASSEMBLY	1
7	25802-T06802-E	Supporto	TENSIONING WHEEL SUPPORT	1
8	92102-0001	Anello	RING,SNAP 8	1
9	90319-0825-09	Vite M8	SCREW M8*1.25*25	1
10	91101-0630	Perno	CYLINDRICAL PIN $\Phi 6 \times 30$	1
11	25601-T06801	Puleggia	DRIVEN PULLEY $\Phi 254 \text{MM}$	1
12	25916-T06802	Cinghia Rm	BELT 10*925LI	1
13	25916-T06801	Cinghia MA	BELT 13*1050LI	1
14	25501-T06801-B02	Cofano Nero	BELT COVER	1
15	90107-0512-09	Vite M5	BOLT M5*0.8*12	4
16	90702-0007-Z9	Rondella	GB/T96.2-2002 - $\Phi 5 \times 1.4$	4
17	25911-T01002-9	Staffa	TENSIONING BLOCK B	1
18	91801-T06801	Rodnella	GASKET $\Phi 8.2 \times \Phi 21 \times 2$	2
19	26102-T06801	Ingranaggio	REVERSE GEAR TRANSITION GEAR	1
20	91613-6003-P63	Cuscinetto	BEARING $\Phi 17 \times \Phi 35 \times 10$	1
21	92103-0003	Anello	HOLE RETAINING RING	1
22	25802-T06801-E	Supporto	TENSIONING WHEEL SUPPORT	1
23	25800-T06801	Galoppino	TENSIONING WHEEL ASSEMBLY	1
24	25903-T06801-9	Molla	TENSION WHEEL RESET SPRING	2
25	90702-0002-Z9	Rondella 8X24X2	FLAT WASHER $\Phi 8 \times \Phi 24 \times 2$	2
26	92102-0006	Anello	RING,SNAP 10	1
27	26103-T06801	Boccola	REVERSE GEAR BUSHING BUSHING	1
28	90103-0835-09	Vite M8	BOLT M8*1.25*35	1
29	90103-0825-09	Vite M8	BOLT M8*1.25*25	3
30	25511-T06801-9	Boccola	BELT COVER PLATE BUSHING $\Phi 8.2 \times \Phi 16 \times 6$	2
31	90103-0665-09	Vite M8	BOLT M8*1.25*60	1
32	90602-0600-39	Dado M6	NUT M6	2
33	90601-0800-39	Dado M8	NUT M8*1.25	1
34	90301-0865-09	Vite M8	SCREW M8*1.25*65	1
35	25508-T06801-9	Piastra	BELT COVER PLATE	1
36	90103-0612-09	Vite M6	BOLT M6*1*12	2
37	25502-T06802-9	Staffa	BELT GUARD BLOCK II	1



POS	CODICE	DESCRIZIONE		Q.TA
5	90701-0001-Z9	RONDELLA D10	Flat pad 10	3
6	90801-0001-Z3	Grower D10	Spring washers 10	3
7	90601-1000-39	Dado M10	Hexagon nut M10	3
8	25109-T06802-9	Boccola	Power support bushing	8
9	90103-0840-09	Vite M8x40	Hexagonal flange bolt M8*40	6
10	25102-T09901-G09	Supporto sinistro	Left power support	1
11	25103-T09901-G09	Supporto Destro	Right power support	1
12	90602-0800-39	Dado M8	Hexagon flange nut M8	6
13	90101-1050-09	Vite M10x50	Hexagonal flange bolt M10*50	3



POS	CODICE	DESCRIZIONE		Q.TA
2	3730105T	GROWER D8	Grower	16
3	644059C0	Zappetta DESTRA	Blades Right	8
4	3931295T	Vite M8 X25 X 1.25	Screw	16
5	3292106T	Dado M8X1.2	Nut	16
6	529018C0	Disco	Disc	2
8	38310070	Spinotto	Pin	4
10	553111C0	Mozzo interno Esagono 23	Hub Main Exagon	2
11	644060C0	Zappetta SINISTRA	Blades Left	8
12	553111PB	Fresa sinistra assemblata	Tiller Left Assembly	1
13	553111PA	Fresa destra assemblata	Tiller Right assembly	1

BENASSI srl

VIA LAMPEDUSA, 1

40017 S.GIOVANNI IN P. - Fraz. S.M. DECIMA (BO) Italia

Tel 0039 051 820 511

Web www.benassi.eu

E-mail benassi@benassispa.it